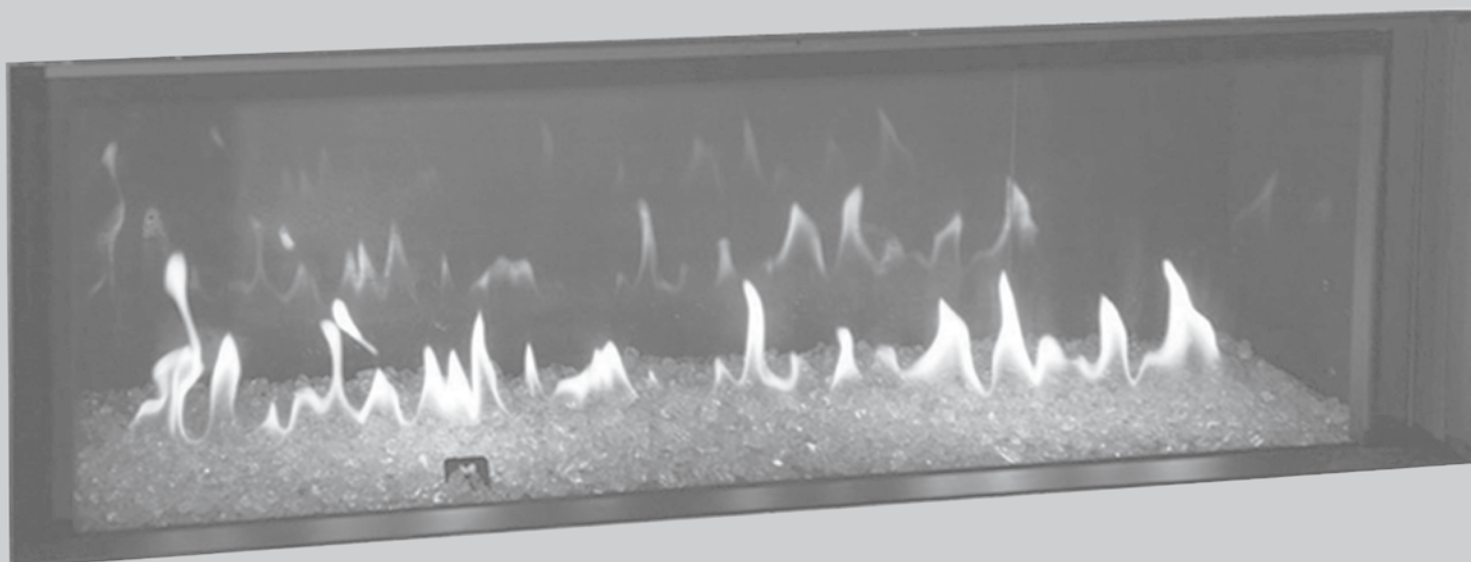


LUNA

700- 1000-1150-1300-1600-1900 H

GOLD GAS

INSTRUCTION FOR INSTALLATION AND USE



Passion for fire

VERY IMPORTANT

**INSTALLATION
INSTRUCTIONS FOR THE
M-DESIGN
GAS FIREPLACES**

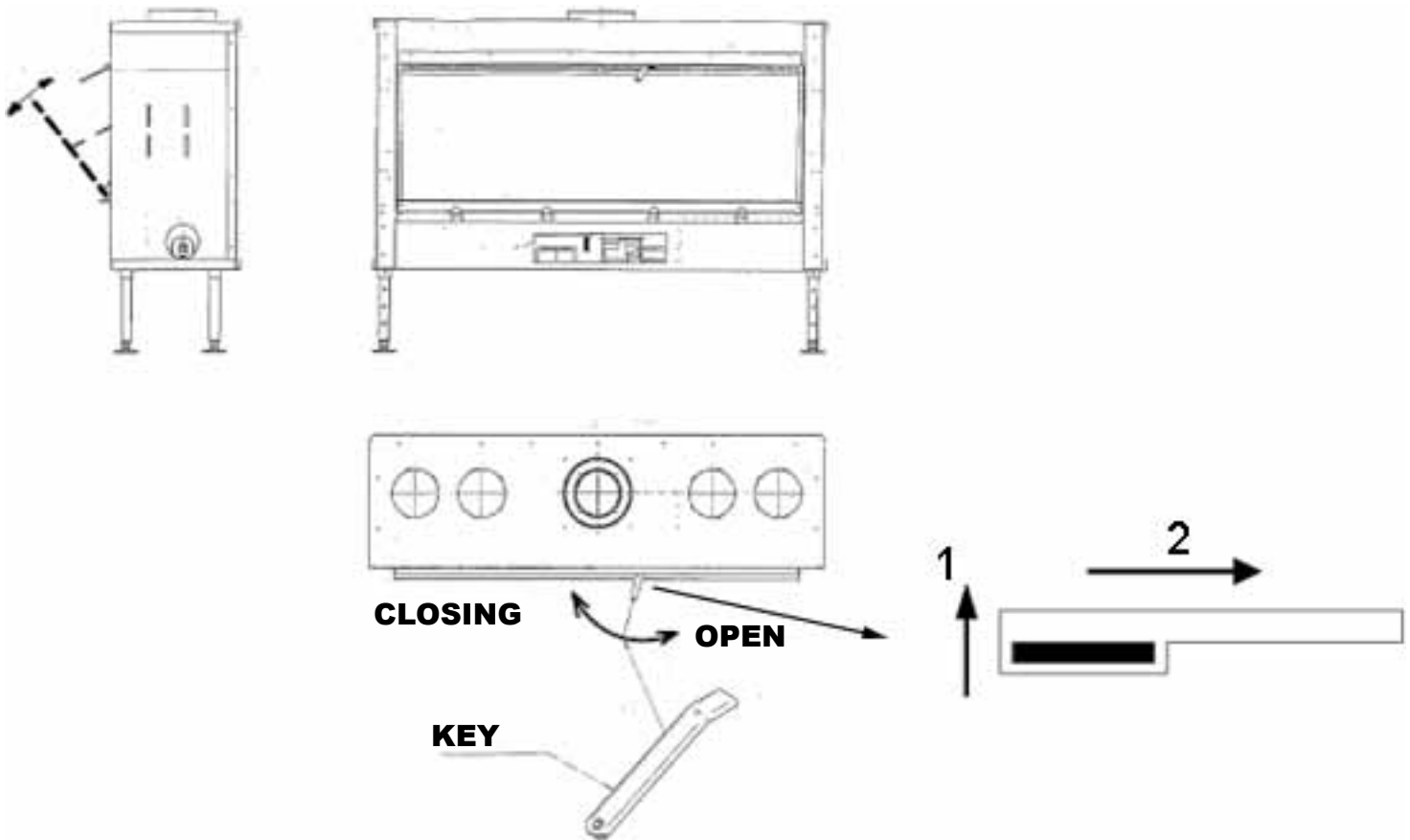
**THE SUPPLIER TAKES NO
RESPONSIBILITY FOR ANY
POSSIBLE DAMAGE, POOR WORKING
APPLIANCES AND ACCIDENT AS A
RESULT OF INCORRECT INSTALLATION**



SUMMARY

1. GENERAL REMARKS	5
2. CONNECTION	5
3. INSTALLING THE FIREPLACE	6
3.1.1 Positioning the fireplace	6
3.1.2 Gas connection	7
3.1.3 Electrical connection	7
4. INSTALLING THE CHIMNEY	8-13
5. INSULATION AND FINISHING	13
6. CONVECTION CURRENT	14-15-16
7. MOUNTING A 3 SIDED FRAME	17
8. POSITIONING THE LOGS, DIAMOND, SAPPHIRE AND WHITE PEBBLES	18
1000H	19-20
1150H	21-22
1300H	23-24
1600H	25-26
9. FIRST-TIME USE	27
10. SAFETY, ADVICE AND MAINTENANCE	27
11. STARTPILOT	28
12. USIGN THE MANUAL CONTROL	28
13. SPECIFICATION SHEET	29-30-31-32
DRAWINGS	33-38
EXAMPLE OF INSTALLATION	39-40-41
14. SPARE PARTS	42
15. GUARANTEE	43
16. CE CERTIFICATION	44

OPEN AND CLOSE THE DOOR



IF SOME DUST OR WASTE IS SEEN ON THE WINDOW (INSIDE AND OUTSIDE), CLEAN THIS BEFORE THE FIRST USE OF THE FIREPLACE. CLEANING THE WINDOW IS THE ONLY MAINTENANCE ACTION THAT CAN BE DONE BY THE CONSUMER

1. GENERAL REMARKS

This is a moulding of the closed combustion system, designed for the atmosphere and comfort of your living-room. It constitutes an efficient source of heat and gives the impression of a real chimney fire.

The gas with air-vent furnaces are based on the principle of natural extraction from the furnace, which eliminates flue gas outside and brings in air (oxygen) from outside the house which is necessary for combustion of the gas. It uses to this effect two concentric pipes. The internal pipe ensures the elimination of burned gases and the external pipe brings in combustion air. The advantage of this principle is that the equipment works independently of the atmosphere which predominates in the house.

2. CONNECTION

This appliance must be connected by an approved installer in accordance with the most recent regulations in force. On the basis of your order specifications, this appliance is designed for natural or propane gas.

Read the instructions before installing and using this appliance. Before installing the furnace, please check the local regulations about this type of furnace (identification of the type of gas, etc.) and check that the furnace is adapted to your means of installation.

CAUTION: The furnace must be connected to the type of gas mentioned on the appliance. Never connect a propane burner to natural gas or vice versa!

It is imperative that the installer sees to the following:

- The appliance must be subject to a water tightness test of the gas and elimination of flue gases.
- The concentric pipe, if already available, must be working correctly.
- The running of the control valve, lighting of the pilot light, the main burner and the thermocouple must all be checked.

This appliance has been programmed and factory sealed. The sealed parts cannot be modified. The appliance may therefore also be installed in watertight accommodation and accommodation equipped with mechanical ventilation. It constitutes ambient heating even in accommodation equipped with a closed ventilation system.

3. INSTALLING THE FIREPLACE

After having checked the appliance, you ready to install your appliance.
This is done as follows

3.1.1 POSITIONING THE FIREPLACE

Place the fireplace on a stable surface using the adjustable feet. Adjust the height of the fireplace by turning the bolt (pic 1)



**The stove may not be placed direct on the floor to allow natural convection.
The appertures for the air supply (IN) is situated underneath the appliances.**

Regulating the height of the appliance :

This can be made in two ways.

A regulation by 8 times 5 cm (pic. 1) and a fine regulation by screw (pic.2).

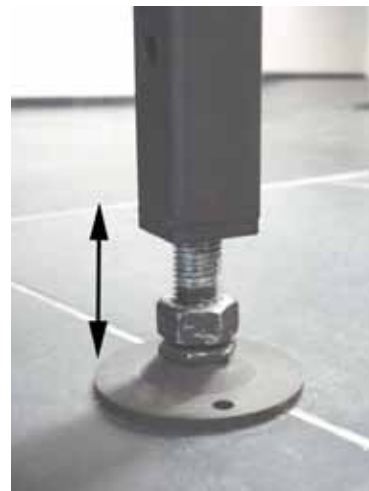
The minimal height as from ground to the 4th side frame is 3,5 cm (A min).

The minimal height "C min" will be 18 cm, measured as from the ground to 4th side frame (pic.3).

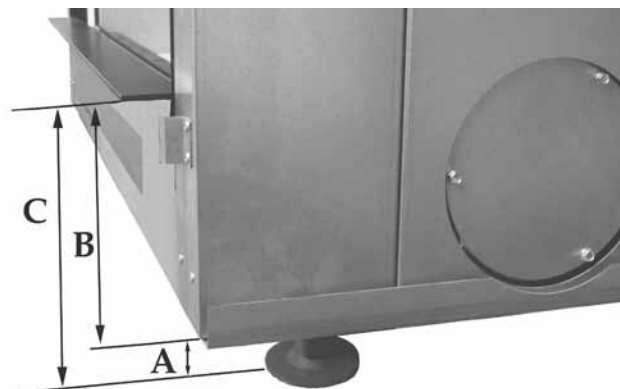
The maximal height as from the ground to the 4th side frame is 45 cm.



pic. 1



pic. 2



A min = 3,5 cm

B = 14,5 cm

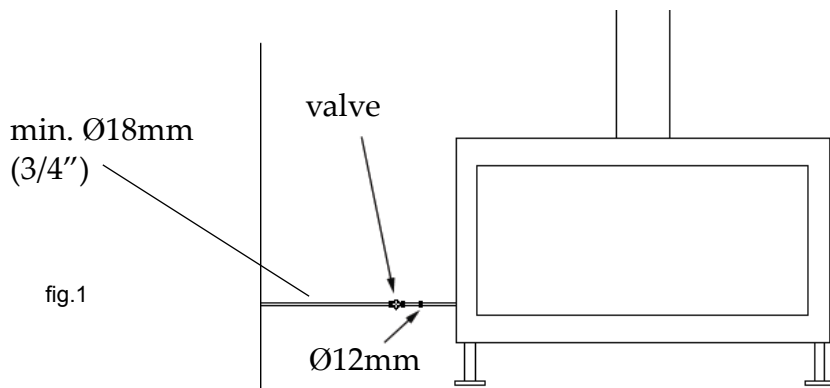
C min = 18 cm

pic. 3

3.1.2 GAS CONNECTION

The appliances are standard delivered with a 1/2" gas soldered connection (fig. 1). It is always located at the left-hand side of the appliance. Make sure nothing remains in the gas lines, since this may easily lead to blockage. An approved gas valve should always be connected to the appliance, which must be accessible at all time .

For this you can use an access door (pic. 1 next page). This access door is also used to have access at the potentiometer (manual controller) and electrical supply.



3.1.3 ELECTRICAL CONNECTION

These appliances are equipped with a radiographic remote control, making an earthed 220V socket necessary. You should bear in mind that the appliance must be connected from all electrical supply for the purpose of service.

ITS OBLIGATORY TO CONNECT AN EARTH CURRENT.

4. INSTALLING THE CHIMNEY

Install the concentric flue duct as indicated by **ONTOP - METALOTERM**. The only authorized pipes are ONTOP Metaloterm™.

ONTOP-METALOTERM tested our fireplace with their conduct and we only guarantee a good working of the fireplace with those.

Between the external wall of the pipe and the wall or the ceiling, you should anticipate for an interstice of at least 50mm and protection that is suitable against temperatures of around 130°C. The passage of the front panel cowl in the external wall must be filled in using silicone mastic.

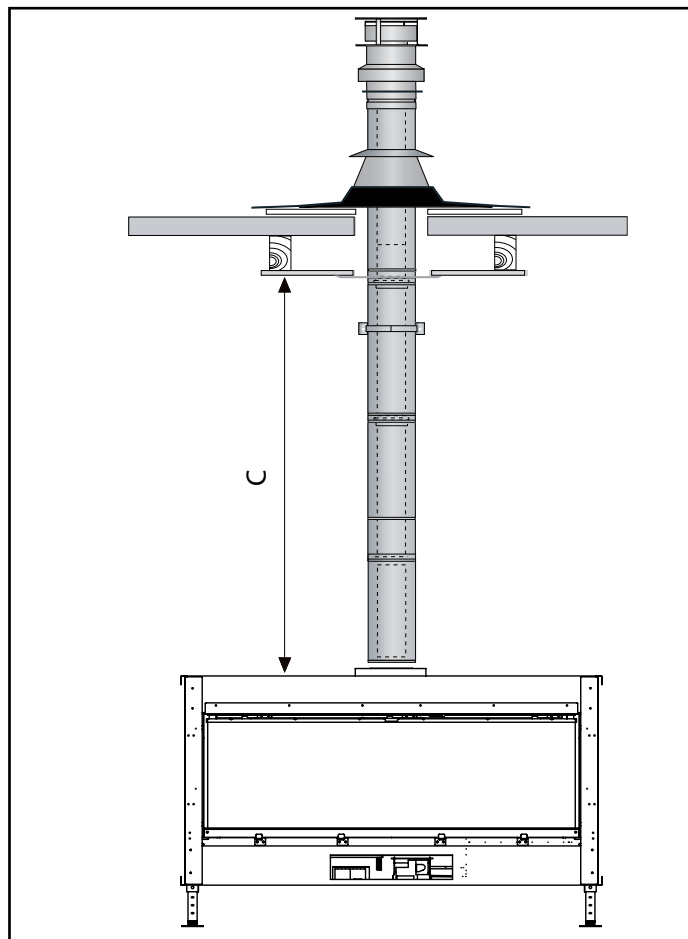
PIC. 1 ROOF EXIT (C31)

TAB. 1 This is recommended with a roof exit $\geq 3\text{m}$

Ø 150/100			
Appliance	C (min)	C (max)	Restriction HR+ (as from 4m)
700 H / 1000 H	3 m	18m	Ø 60 as from 2 m : Ø 75
1150 H	3 m	18m	Ø 60
1300 H	3 m	18m	Ø 60
1600 H / 1900 H	3 m	20m	Ø 75

TAB. 2 This is recommended with a roof exit $\leq 3\text{m}$

Ø 200/130			
Appliance	C (min)	C (max)	Restriction HR+ (as from 3m)
700 H / 1000 H	2 m	10m	Ø 60 as from 2 m : Ø 75
1150 H	2 m	10m	Ø 60 as from 2 m : Ø 75
1300 H	2 m	10m	Ø 60 as from 2 m : Ø 75
1600 H / 1900 H	2 m	12m	Ø 75 as from 2 m : Ø 75



PIC. 1

PIC. 2 ROOF EXIT VIA EXISTING CHIMNEY (C91)

TAB. 1

Ø 150 (min) / Ø 100			
Appliance	C (min)	C (max)	Restriction HR+ (as from 4m)
700 H / 1000 H	3 m	18m	Ø 60
1150 H	3 m	18m	Ø 60
1300 H	3 m	18m	Ø 60
1600 H / 1900 H	3 m	20m	Ø 75

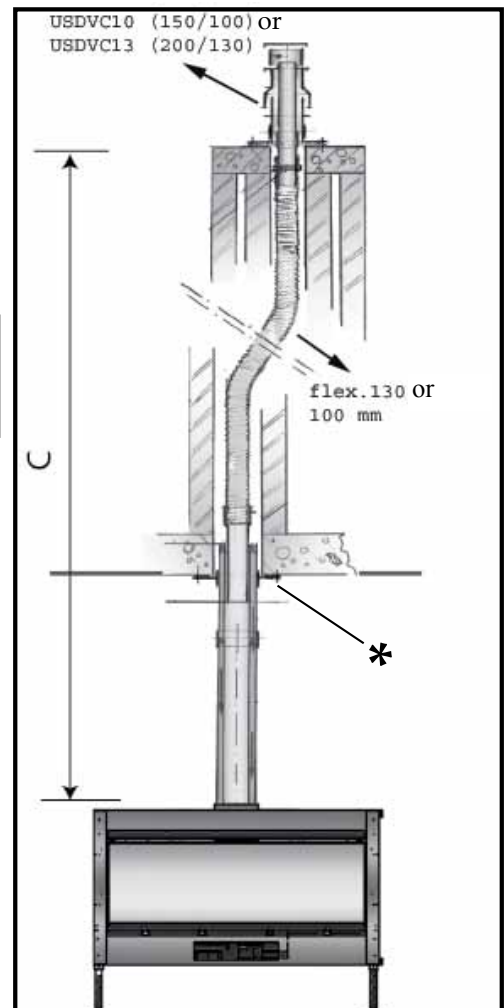
TAB. 2

Ø200(min) / Ø 130			
Appliance	C (min)	C (max)	Restriction HR+ (as from 3m)
700 H / 1000 H	2 m	10m	Ø 60
1150 H	2 m	10m	Ø 60
1300 H	2 m	10m	Ø 60
1600 H / 1900 H	2 m	12m	Ø 75

It is obligatory to use the sanitation set USSAN with placing.



This USSAN piece must be saeled at the roof.



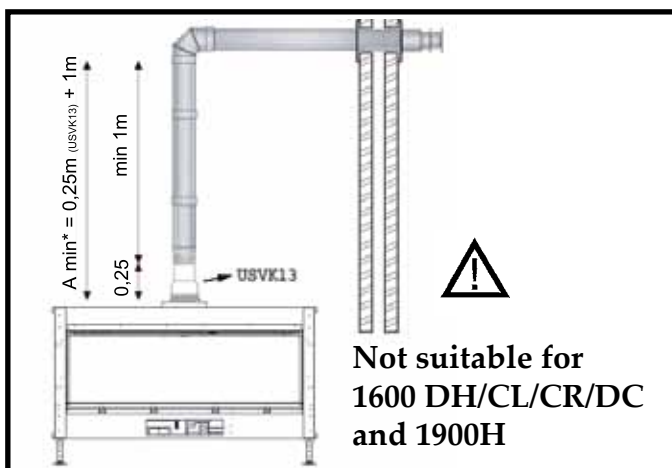
PIC. 2

Pic. 3 WALL EXIT (C₁₁)

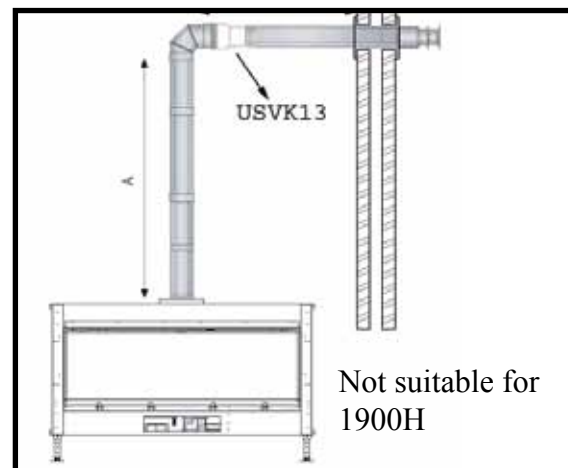
Ø 150/100 WITH REDUCTION USVK13 ON THE APPLIANCE (FIG. 3)				
Appliance	A (min)	B (min)	B (max)	Restriction HR+
700 H /1000 H	1,25*m	wall exit	=A+1m	Ø 75
1150 H	1,25*m	wall exit	=A+0,5m	Ø 75
1300 H	1,25*m	wall exit	= A	Ø 75

PIC. 4 WALL EXIT (C₁₁)

(A) Ø 200/130 in combination with (B) Ø 150/100 WITH REDUCTION USVK13 AFTER 90° CURVE ON HORIZONTAL PART (FIG. 4)				
Appliance	A (min) Ø 200/130	B (min) Ø 150/100	B (max) Ø 150/100	Restriction HR+
700 H / 1000 H	1,25m	wall exit	A+ "USVK13" +6m	Horiz. < 2m : Ø 75
1150 H	1,25m	wall exit	A+ "USVK13" +5m	Horiz. < 2m : Ø 75
1300 H	1,25m	wall exit	A+ "USVK13" +3,5m	Horiz. < 1m : Ø 75
1600 H	1,25m	wall exit	A+ "USVK13" +1m	-----

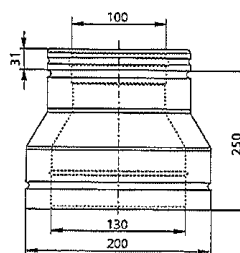


PIC. 3

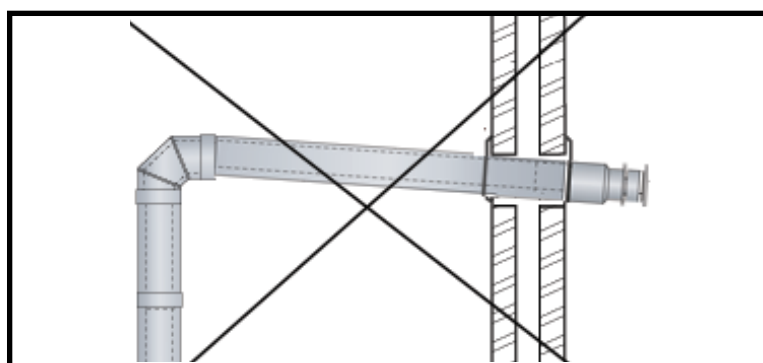
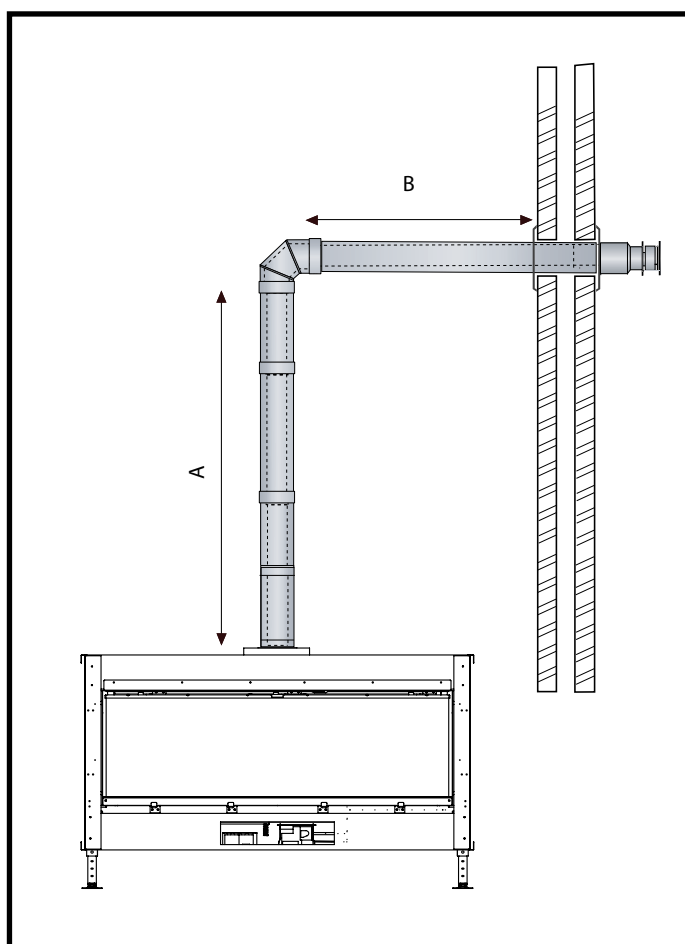


PIC. 4

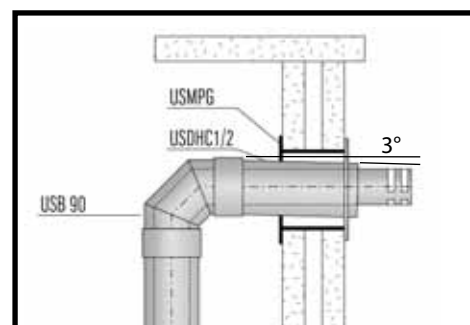
USVK13
REDUCTION 200/130 → 150/100



Ø 200/130				
Appliance	A (min)	B (min)	Restriction HR+	B (max)
700 / 1000 H	1 m	wall exit	Ø 70	A+8m
1150 H	1 m	wall exit	Ø 75	A+7m
1300 H	1 m	wall exit	Ø 75	A+6m
1600 H	1 m	wall exit	Ø 90	A+4m
1900 H	1m	wall exit	Ø 90	A + 2m



Pic.5



Pic. 6



IMPORTANT : BE CAREFULL EVERY HORIZONTAL PART DOES NOT HAVE AN NEGATIVE INCLINATION (pic.5) IN DIRECTION OF OUTLET. IT IS EVEN BETTER, WHEN POSSIBLE, TO HAVE A LITTLE INCLINATION OF 2 OR 3 DEGREES ASCENDING. ONLY THE OUTLET MUST BE INSTALLED LIKE PIC. 6 (TO AVOID RAIN DROPS IN TUBE)

Pic. 5 ROOF EXIT with 90° bends

Ø 150/100 WITH REDUCTION USVK13 ON APPLIANCE				
Appliance	A (min)	B (max)	C (min)	(A+B+C)max
700/1000 H	1,25* m	A+C+0,5m	B-A-0,5m	18m
1150 H	1,25* m	A+C+0,5	B-A-0,5	17m
1300 H	1,25* m	A+C	B-A	16m
1600 H	1,25* m	A+C-0,5m	B-A+0,5m	16m
1900 H	1,25*m	A+C-1m	B-A+1m	14m

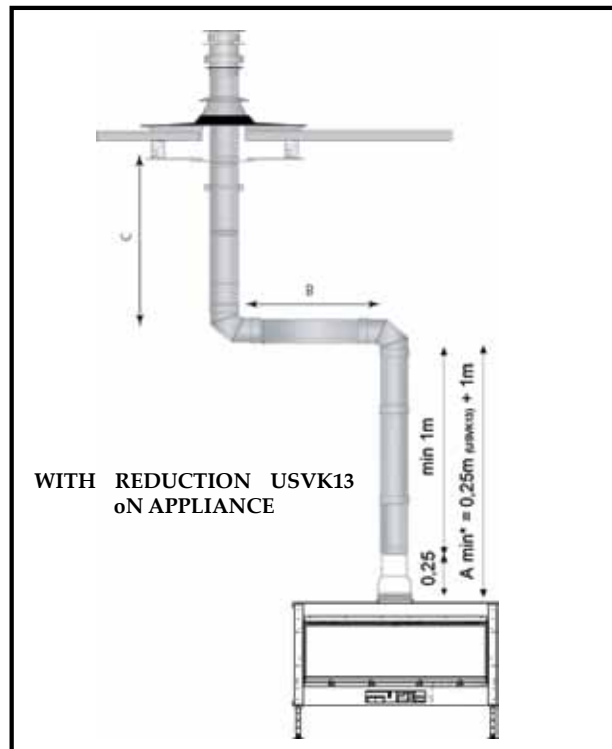
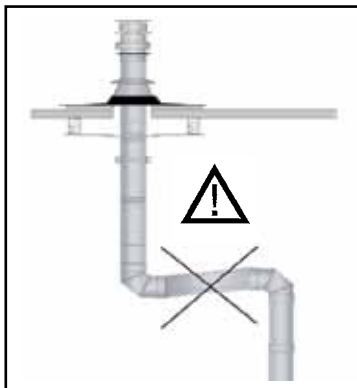
Pic. 5 ROOF EXIT with 90° bends

Ø 200/130 without reduction				
Appliance	A (min)	B (max)	C (min)	(A+B+C)max
700H / 1000 H	1 m	(A+C) + 8m	B-A-9m	20m
1150 H	1 m	(A+C) + 7m	B-A-8m	19m
1300 H	1 m	(A+C) + 6m	B-A-7m	18m
1600 H	1 m	(A+C) + 3m	B-A-4m	18m
1900 H	1 m	(A+C)+1m	B-A-2m	16m

Appliance	Ø 150/100 and Ø 200/130
700H / 1000H / 1150H 1300H / 1600H / 1900H	for each 90° bend subtract 1 m horizontally or add 1 m vertically.
700H/ 1000H / 1150H 1300H / 1600H/1900H	for each 45° / 30° / 15° bend subtract 0,5 m horizontally or add 0,5 m vertically.



CAUTION: if the vertical length is over 3 meter longer than the horizontal length, you will need to place a reduction ring of **Ø 60**.



5. INSULATION AND FINISHING



Please , follow this instruction. The appliance can overheat if you not apply those instructions. Errorcode F02 will appear !

Once installation is complete, the appliance can be fitted. Before doing so, check the tightness of the gas pipe one more time. Light the appliance and check that it is working: check the tightness of the gas pipe and the smoke pipe. Once you have checked everything, you can perform the final insulating and finishing operations.

The built-in part of the furnace tends to be very warm. Please check that the furnace is not too narrowly fitted and that there is adequate space for the elimination of hot air. For insulation of the furnace, we advise you to use M Design insulating plates. You are advised against using any other insulation product. Inflammable materials as well may not be used for the finishing.



The masonry must be raised around the furnace. Because of the expansion of the furnace during combustion, an interstice of at least 5 mm must be provided on frontside and 4cm on each side of the appliance. The masonry must not lean against the furnace.

THE APPLIANCE MUST BE SET FREE .

Please pay attention to leave approx. 2 mm inbetween the finishing frame and maconry (see p.17 , mounting a 3-sided frame, and see page 37,38 and 39 for further information about installation

REFERENTIAL DISTANCES IN REGARDS TO FINISHING THE MANTLEPIECE

A very essential point when setting up the Luna Gold is that the distance has to be respected inbetween fireplace and the finishing material for the mantelpiece such as marble, gipsum,...

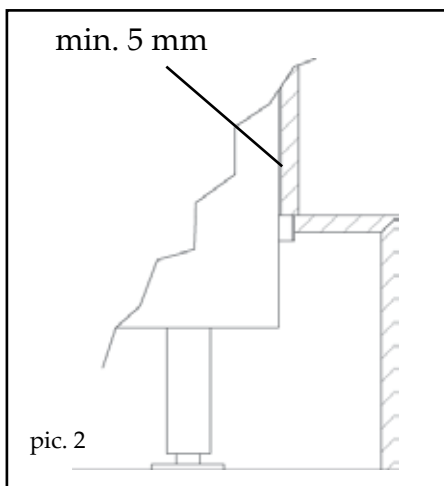
For this, a small bended metal sheet that is provided ont the fireplace (pic.1) , is to be used as the minimal reference for the distance. The finishing can only go as far as this metal sheet (pic.2). Don't remove this (pic.3) ! This allows you to take out the 4th side frame and to let the airflow in the mantelpiece for natural convection.

pic. 1

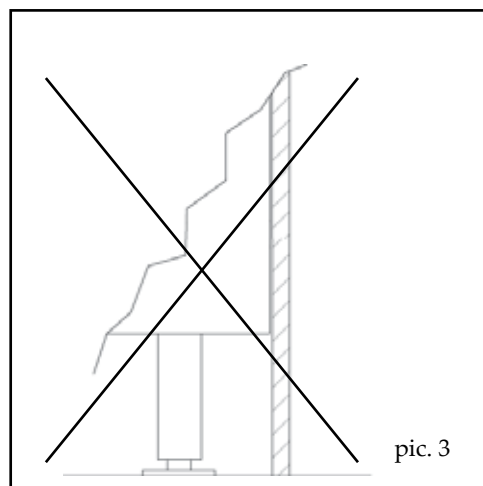


min. 5 mm

pic. 2



pic. 3



See page 37,38 and 39 for further information about installation

6. CONVECTION CURRENT



Please , follow this instruction. The appliance can overheat if you not apply those instructions. Errorcode F02 will appear !

The enclosure of the furnace must be provided with ventilation grills or openings allowing for the elimination of heat by convection. It is possible to have a convection kit fitted with the furnace. This system directs the heat inside the room by means of flexible tubes (dia. 150 mm).

It is obligatory to open at least 2 hot air vents (**for the LUNA 1600 you must open 4**) at the top of the appliance.

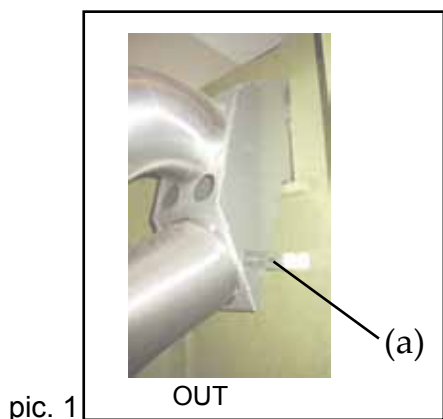
For the purposes of the installation of these ducts it is best to go vertically upwards first for at least 1m and then to change direction, making a rather wide bend and avoid using a flue terminal grid with a small clearance because the speed loss that this causes reduces the efficiency of the hot air vents. Place all the fittings that you use at the same lengths and angles if possible, otherwise it is possible that some grids give off more heat than others and, seeing that a hot air pipe functions in a manner similar to a chimney, the one that is hot first has the most draught and therefore becomes hot even more quickly.

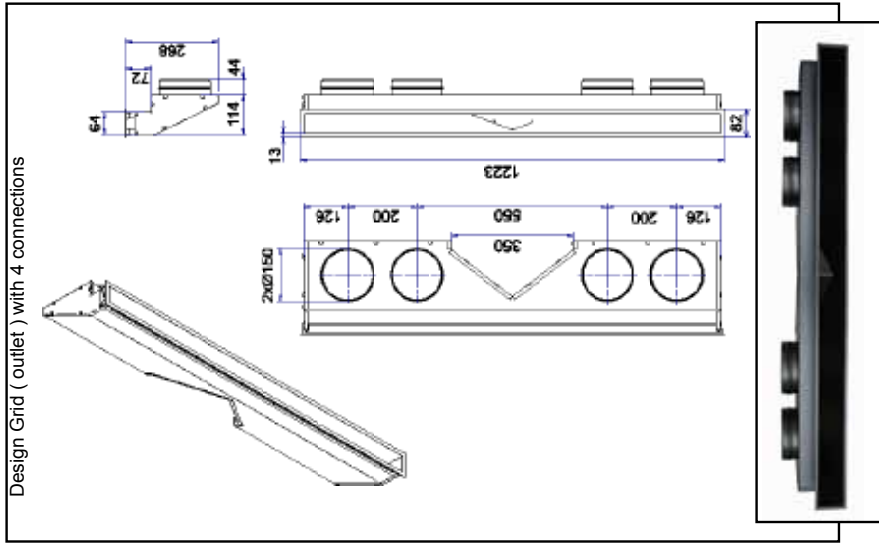
Note: a circulation of hot air requires that no under-pressure be created in the room. A grid that is near the floor (pic 2) sees to it that cold air can be drawn in.

M-design has developed its ideal hot air grids which have many advantages (pic. 1 & 2) and for the elimination of hot air and the entry of warm air we advise you to use those Design grills made by M-Design.

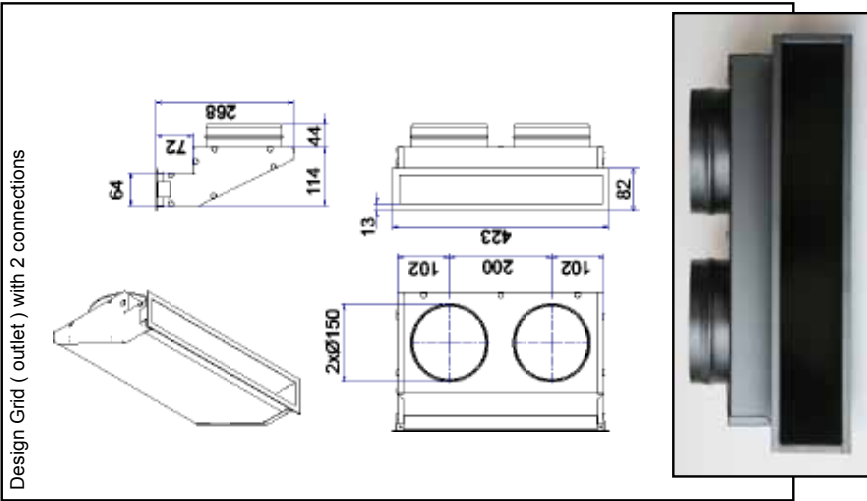
The appertures for the air supply "IN" (pic.2) is situated underneath the appliances. The stove may not be placed direct ont the floor to allow natural convection.

To simplify the mounting of the grids you can use the corner profile (a) wich is furnished with the grid. This profile is can be mounted on the side of the grid (two little wholes en screws are provided).

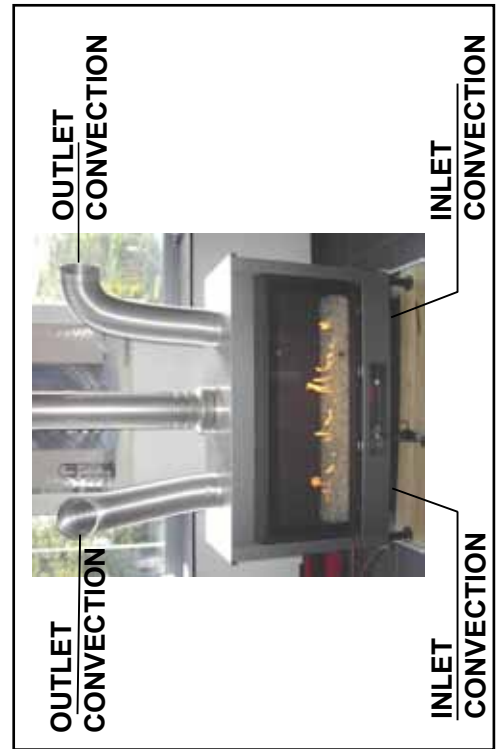
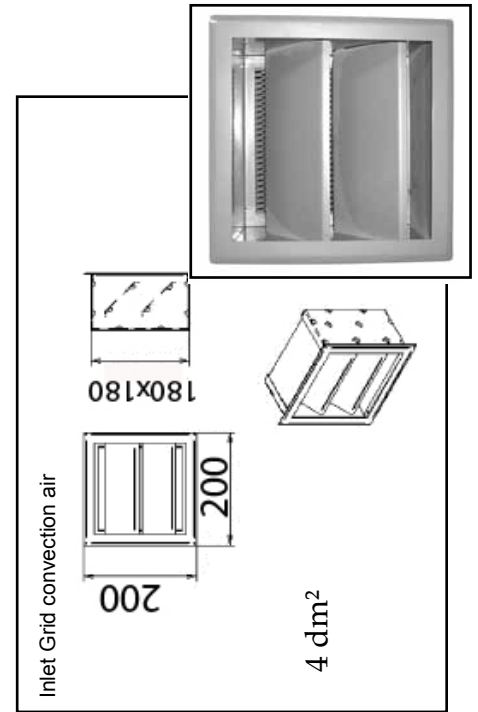
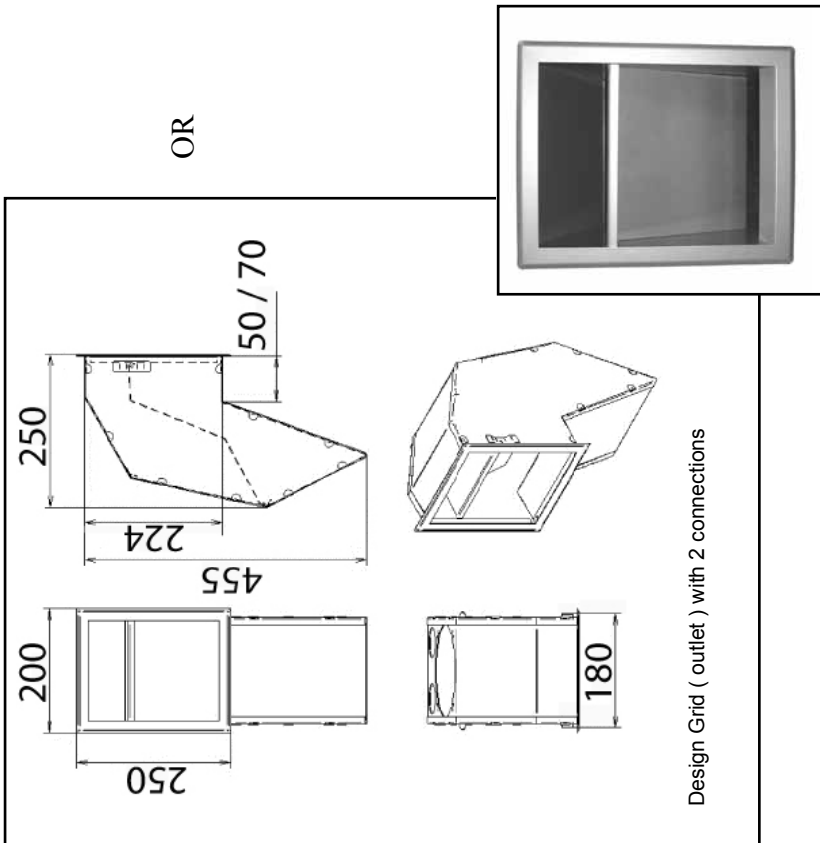




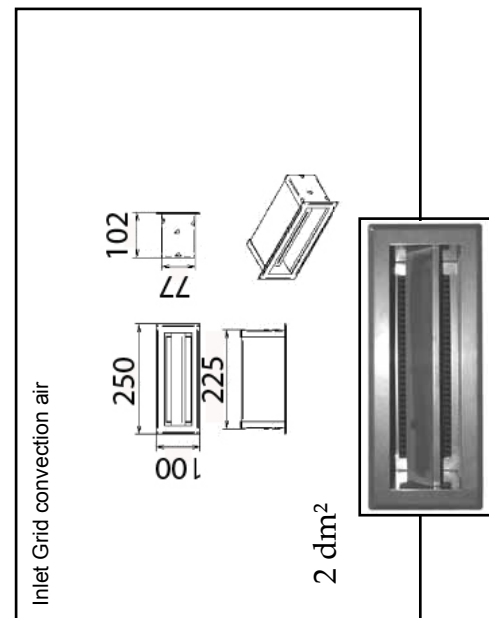
OR



OR



Pic.3





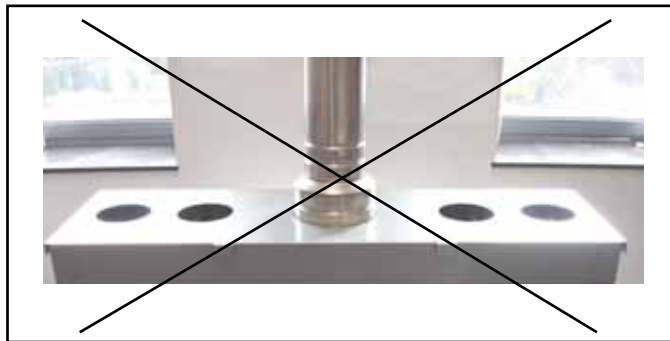
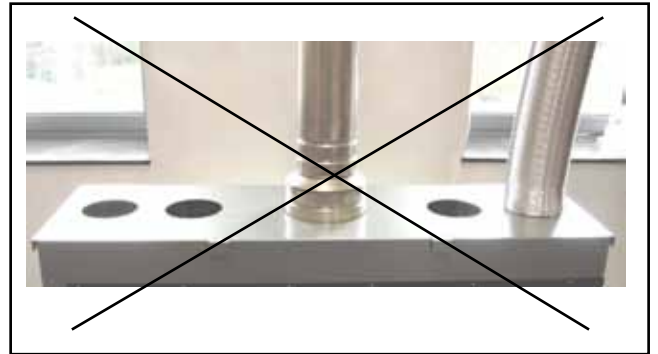
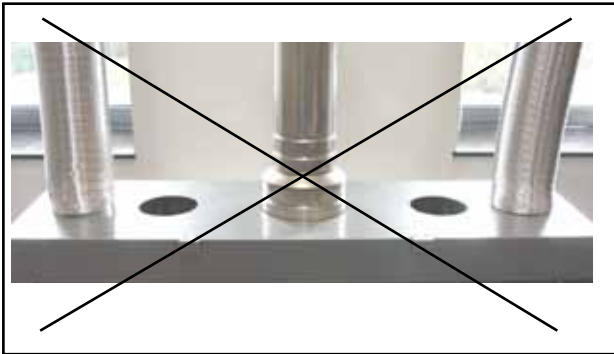
YOU HAVE TO CONNECT AT LEAST TWO APPERTURES SITUATED AT THE TOP OF THE APPLIANCE.

FOR THE LUNA 1600, YOU MUST CONNECT 4 APPERTURES.

THE STOVE MAY NOT BE PLACED DIRECT ON THE FLOOR, WITHOUT THE FEETS. THIS TO ALLOW NATURAL CONVECTION. THE APPERTURES FOR THE AIR SUPPLY ARE SITUATED UNDERNEATH THE APLLIANCE.

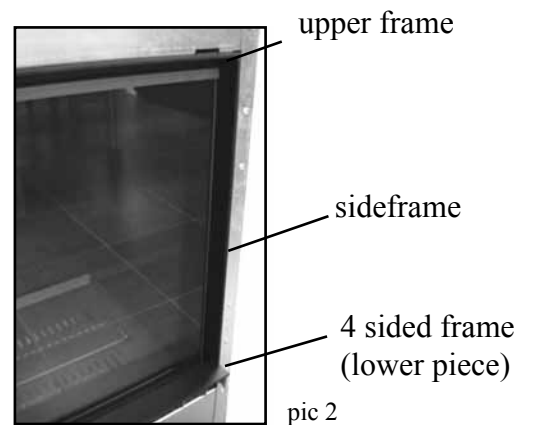
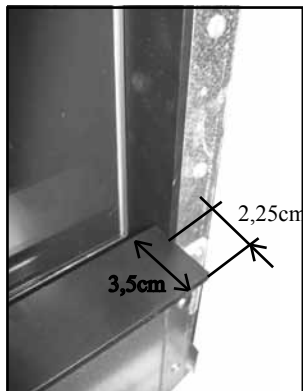


EVERY OPENING YOU MAKE MUST BE CONNECTED WITH A FLEXIBLE TUBE dia.150MM (see pic. below). THIS WILL AVOID THE HEATING OF THE ELECTRONIC PART OF THEAPPLIANCE. IN OTHER CASE YOU WILL HAVE ERRORCODE F02.



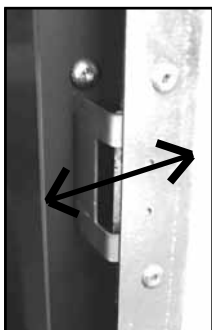
GOOD

7. MOUNTING A 3-SIDED FRAME



Fireplace is delivered standard with 4sided frame 3,5cm, an upper and 2 sideframes (see pic. 2)

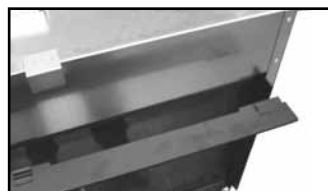
Before mounting the 3 sided frame, remove 4 sided frame (lower piece) by lift it carefully up. Pull out the upper frame and in second way the left and right sideframes. Take the left and right side of the 3 sided frame (3,5 - 7 or 10 cm) and slide them in the notches (see pic 4). When those are placed in a good way, you can adjust the position to the left en to the right and from the the front to the rear. At this way you can make the frame good surrounding. Mount the upper frame (pic 5) and at last the 4 sided frame (pic 6)



pic 3



pic 4



pic 5



pic 6



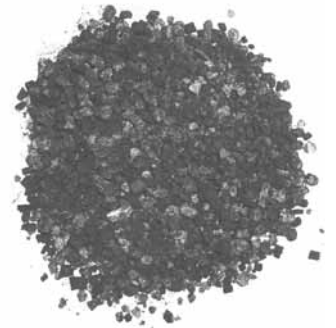
PLEASE PAY ATTENTION TO LEAVE APPROX 2 MM INBETWEEN THE FRAME AND THE FINISHING MATERIAL (HEAT = EXPANSION)

8. PUTTING IN PLACE THE LOGS, DIAMOND, SAPPHIRE AND WHITE STONES

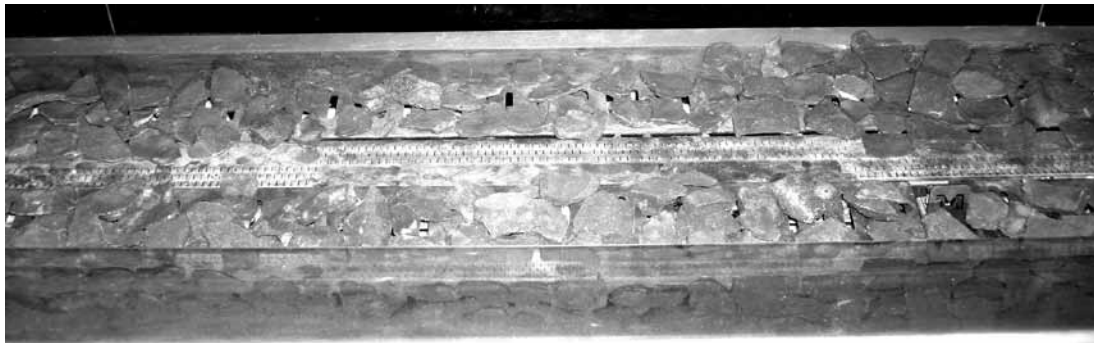
- Please check that the pilot light is switched off and that the furnace has cooled down.
- Move the window to the front by pulling it. The window tips open at 45°.
- Arrange the materials supplied. In accordance with your order you will have either a set of logs, diamond, sapphire or white pebbles. There is an adequate supply of materials. Our appliance is approved with these materials, so please do not use other products. Other decorative products are prohibited in our appliances. Please do not change the delivered quantities.

ARRANGING THE SET OF LOGS

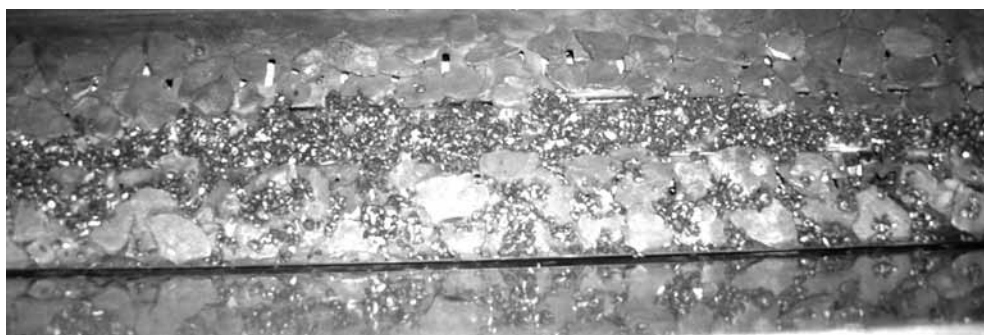
Caution: do not put anything on the pilot light. To arrange the logs respect the order as follows.



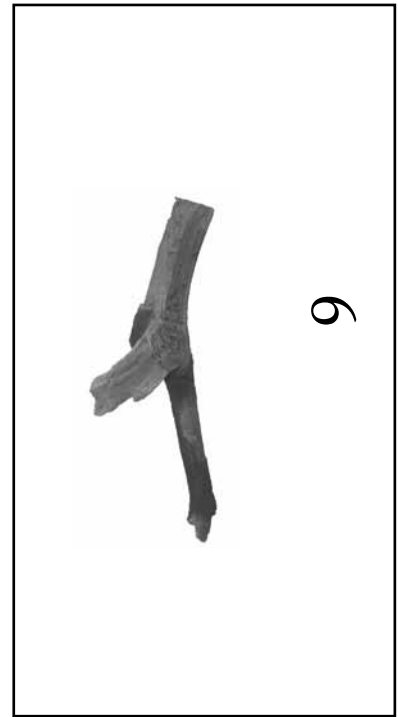
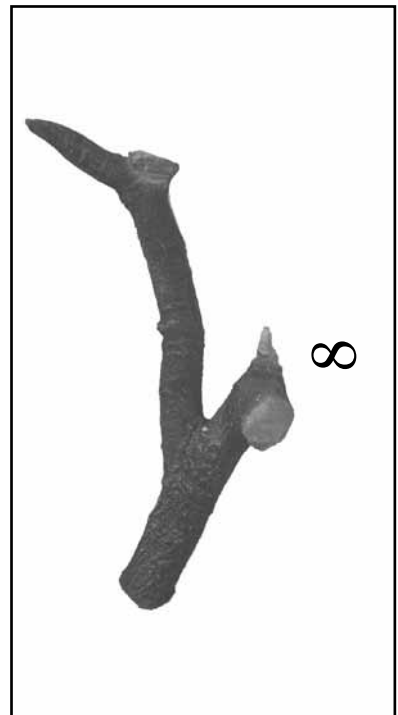
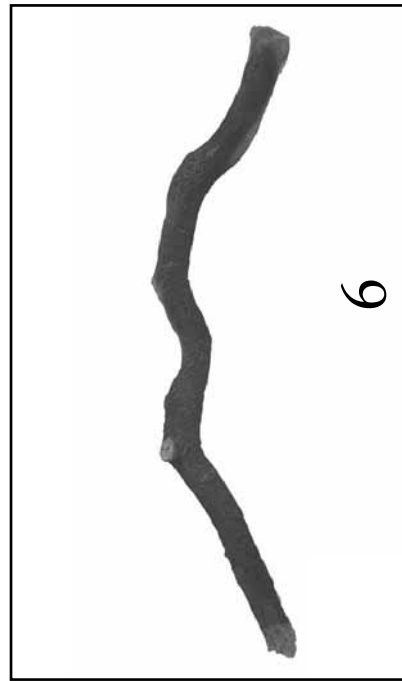
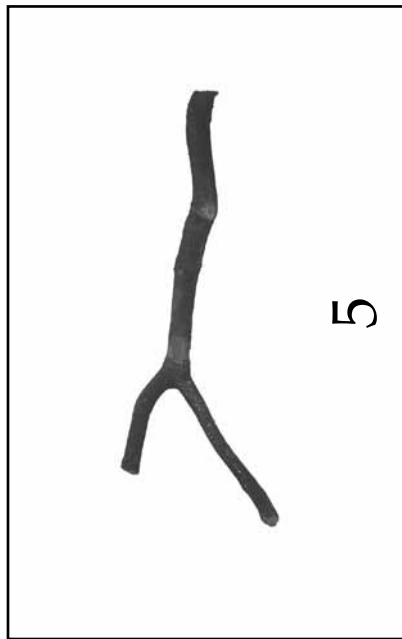
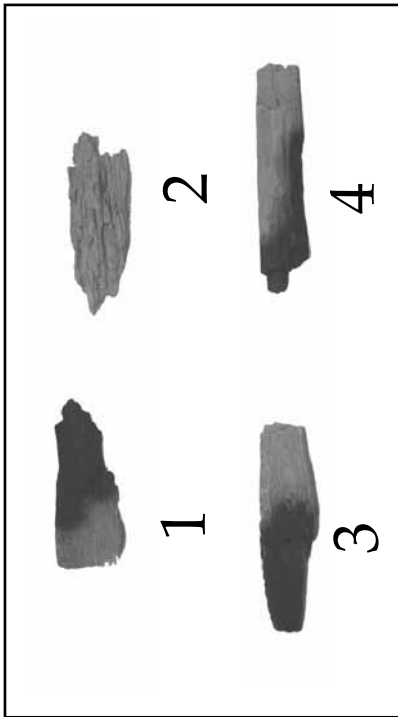
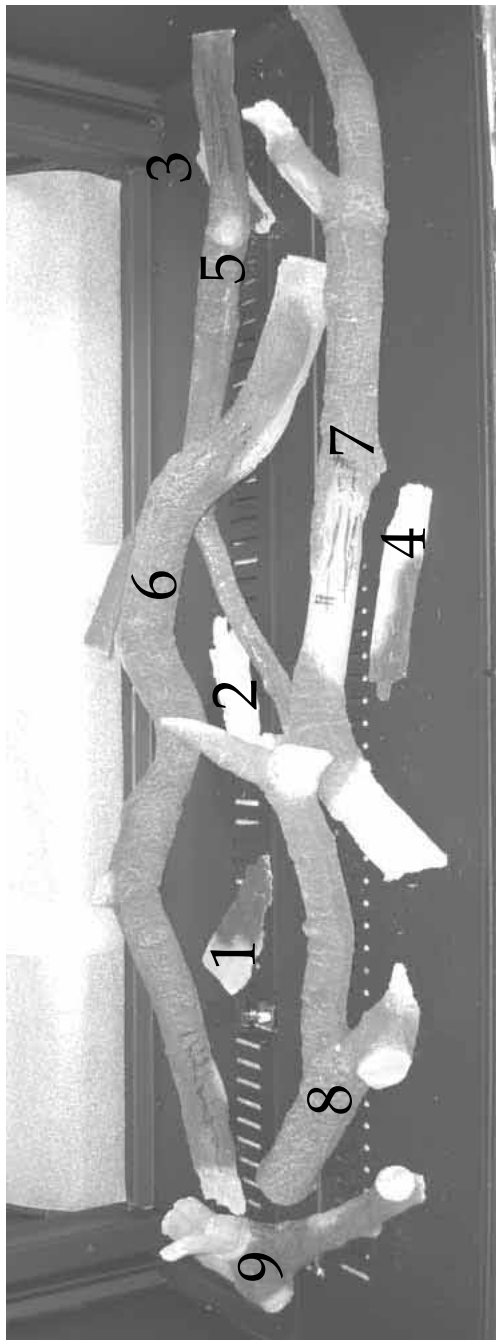
Put the big imitation coal pieces around the burner.

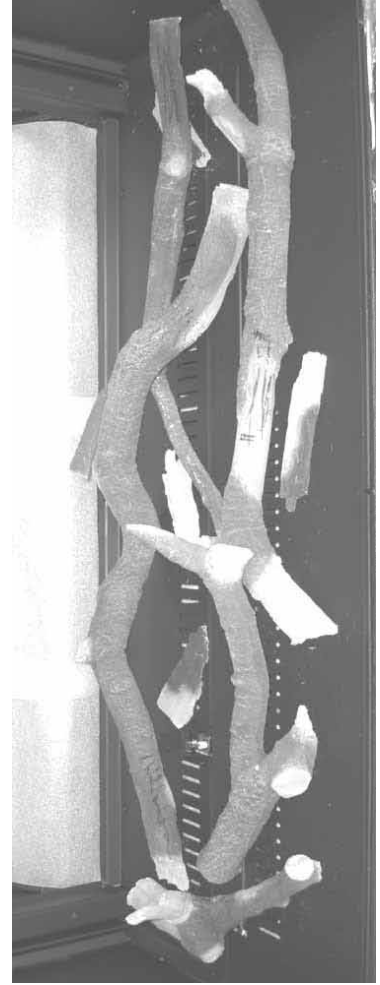
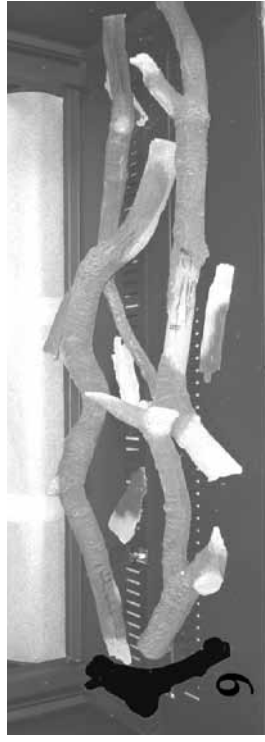


Put the little imitation coal peices on the burner and here and there between the big coal pieces.



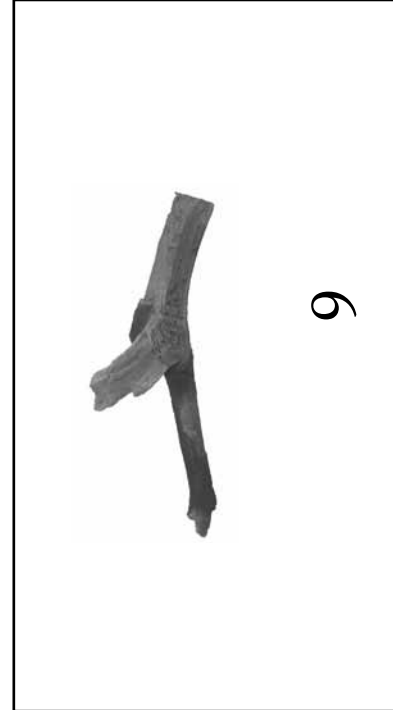
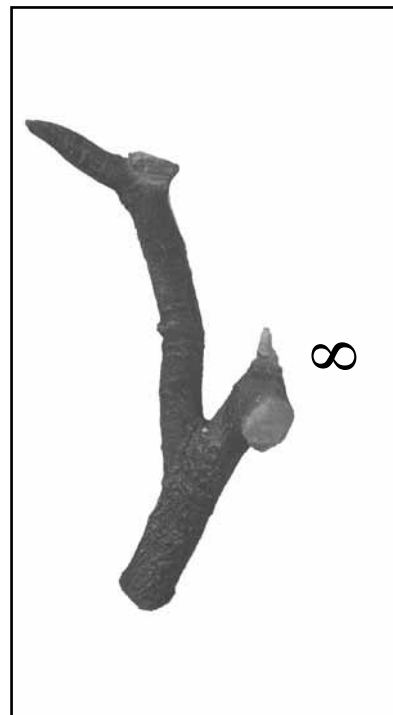
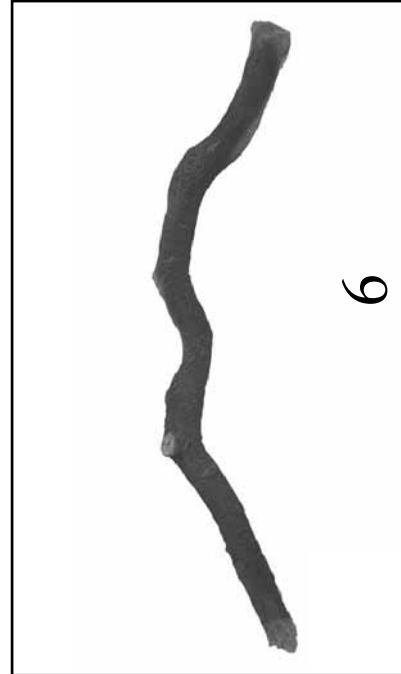
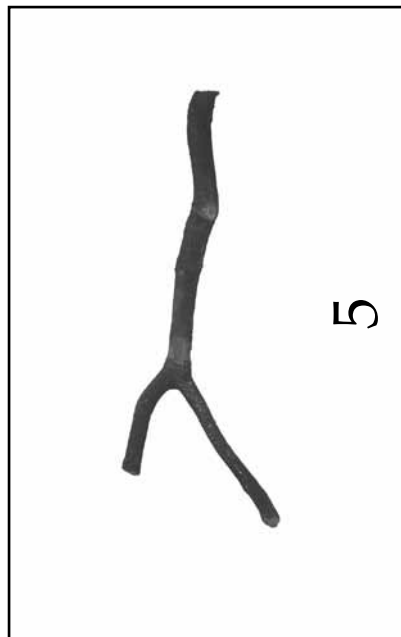
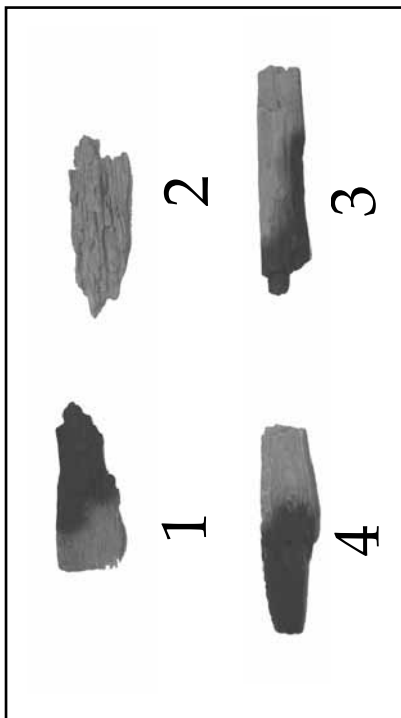
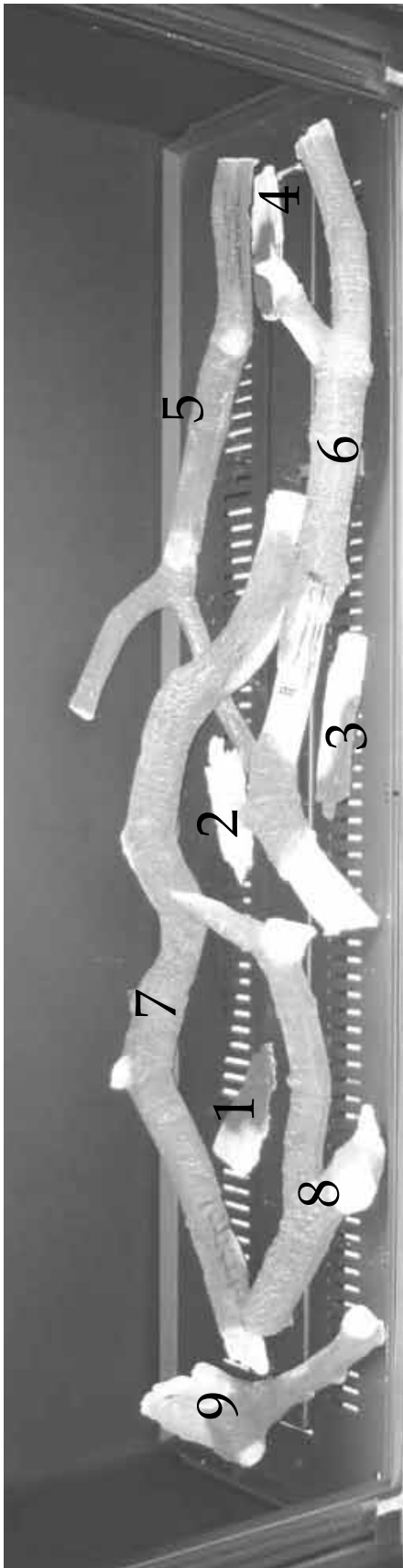
LUNA 1000 H GAS

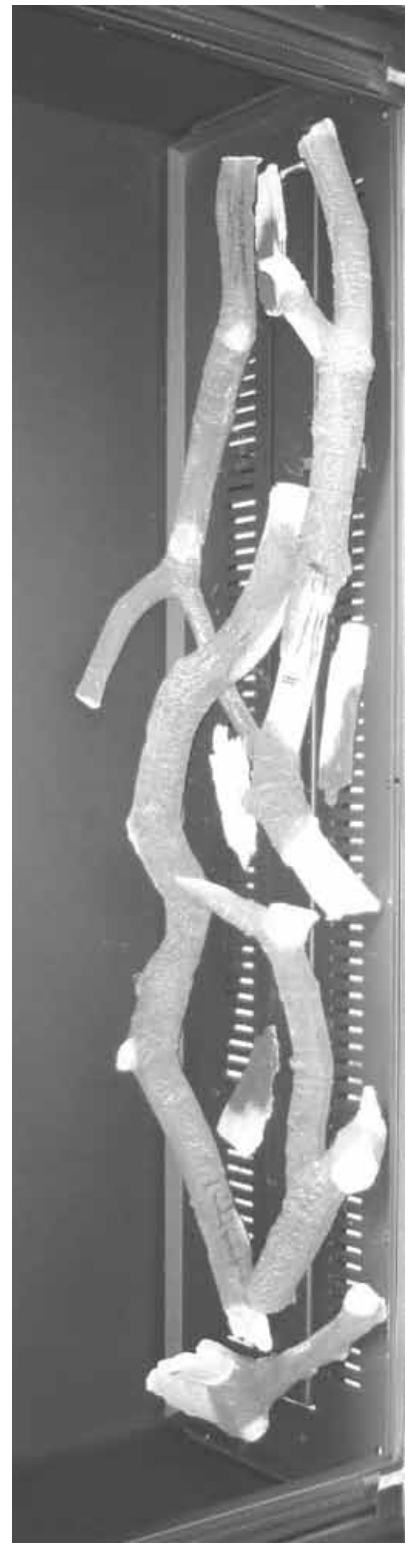
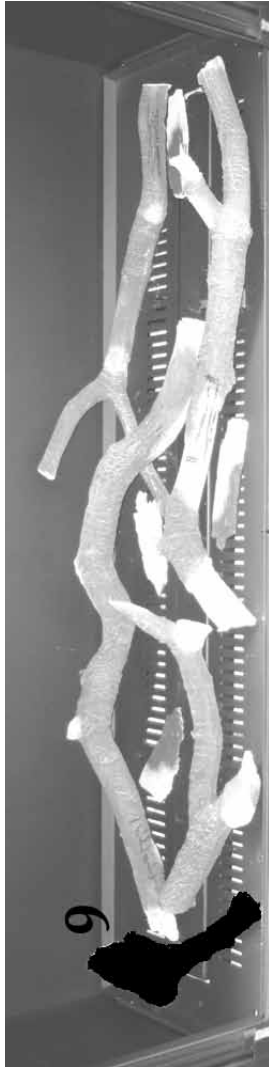
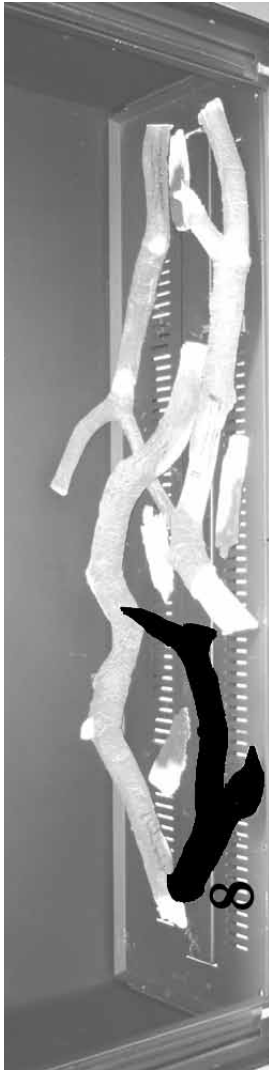
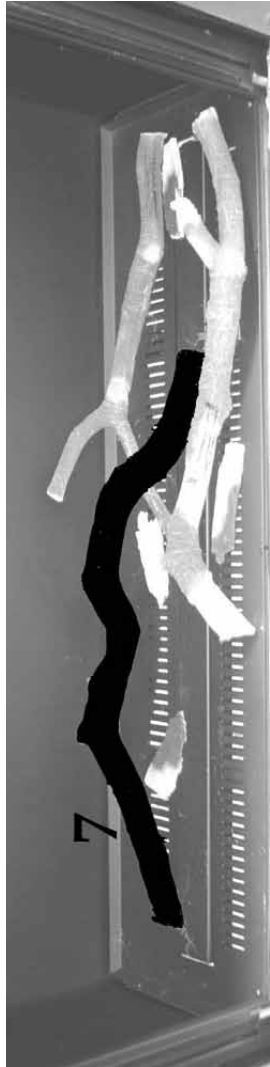
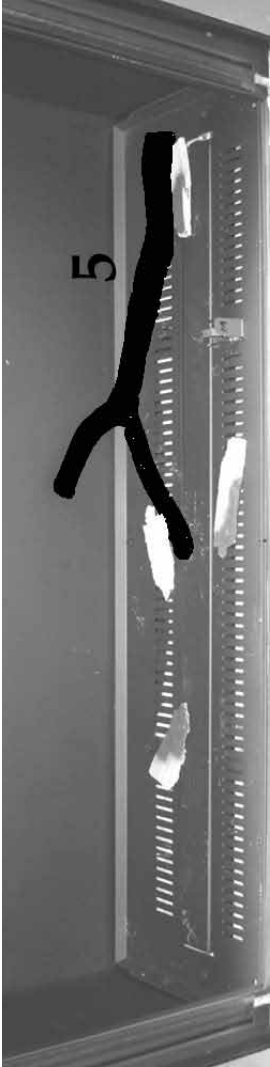
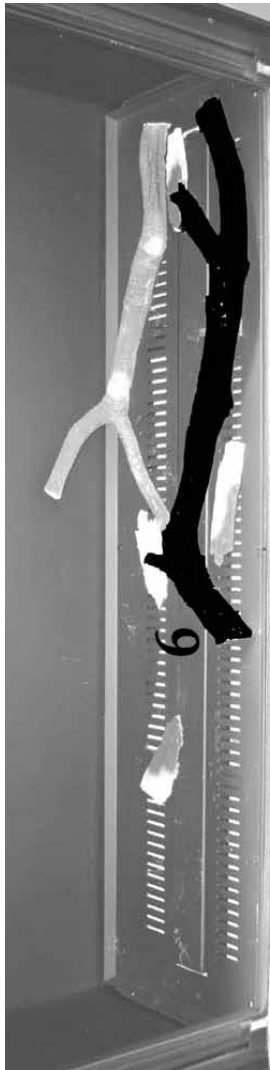
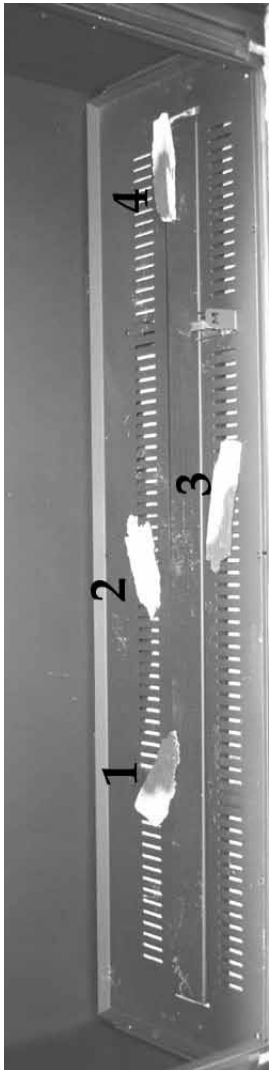




LUNA 1000 H GAS

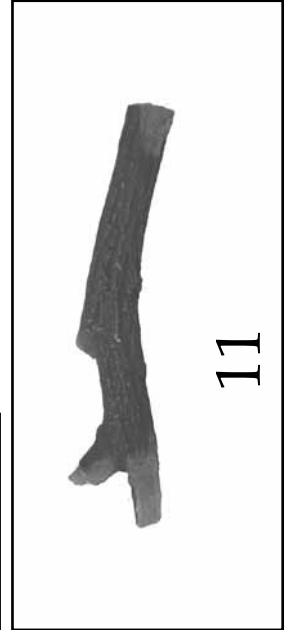
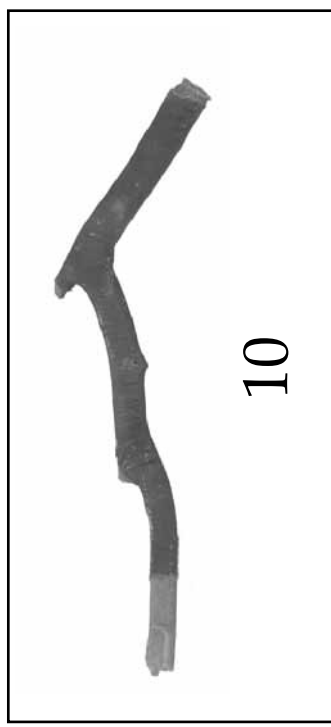
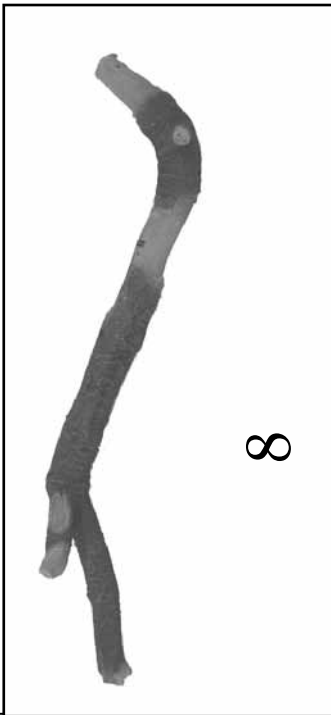
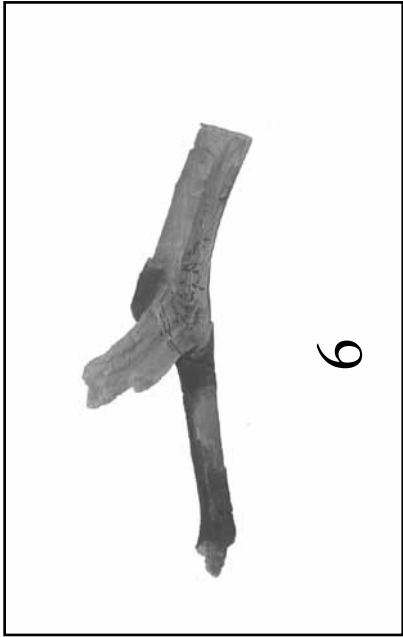
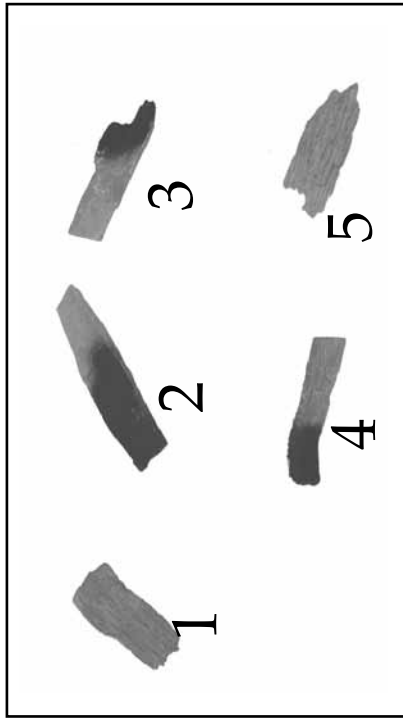
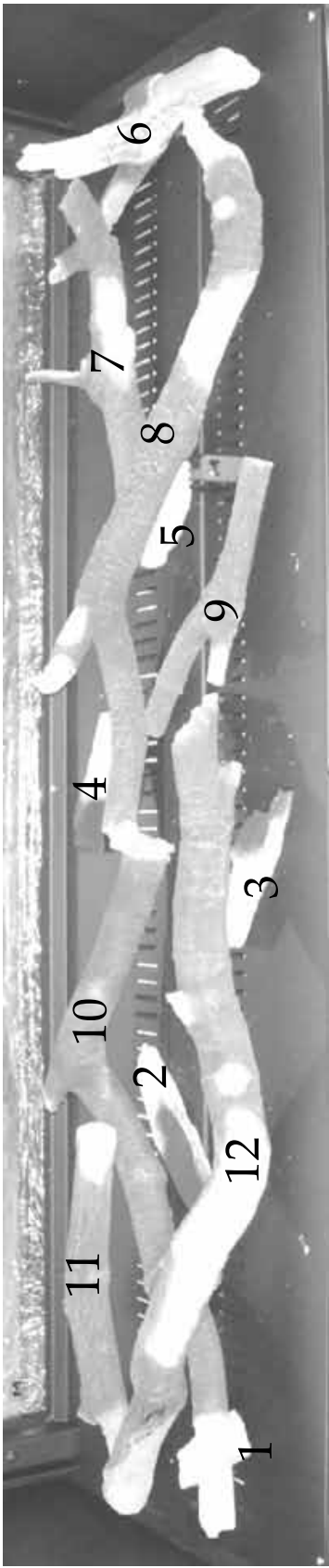
LUNA 1150 H GAS

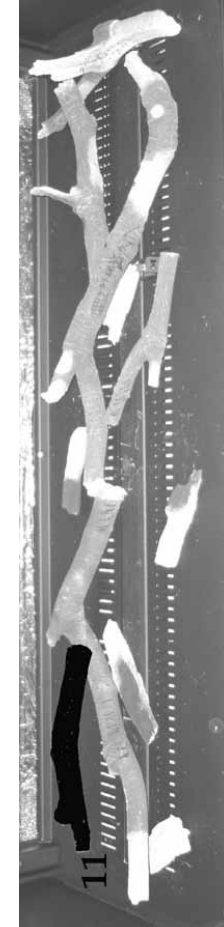
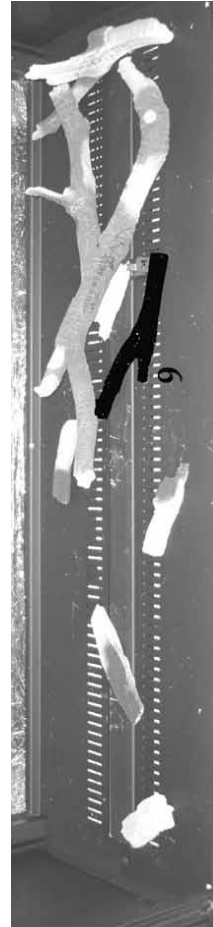
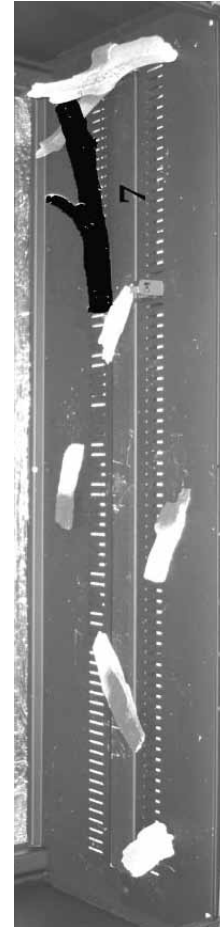
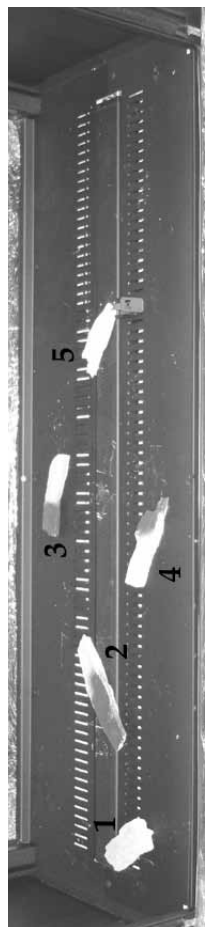
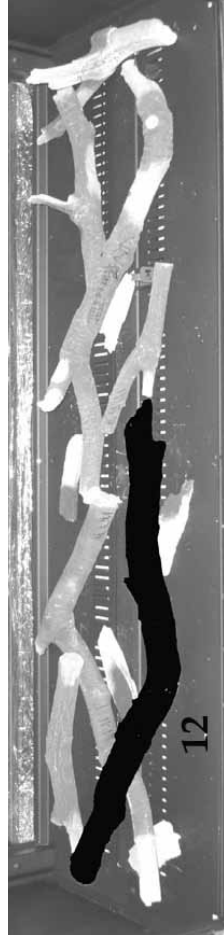
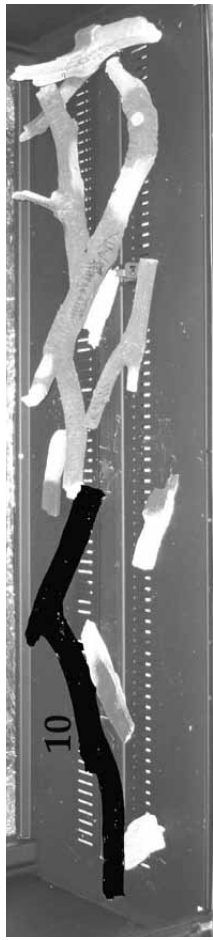
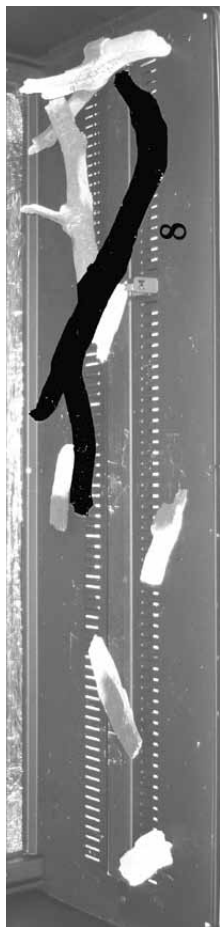
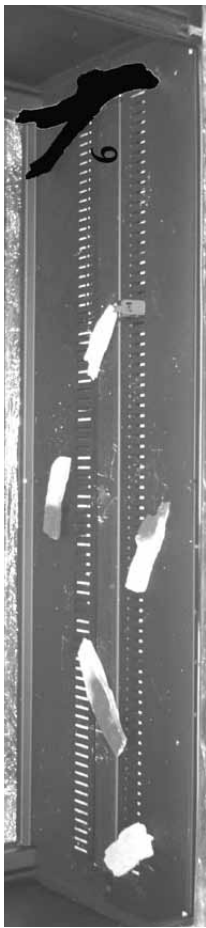




LUNA 1150 H GAS

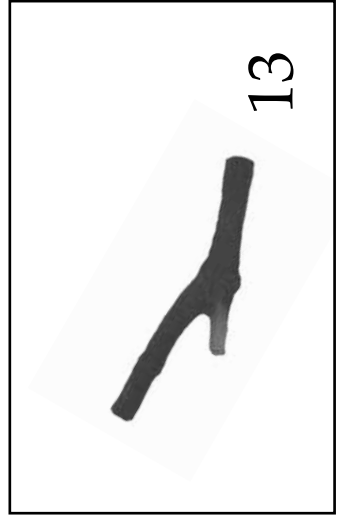
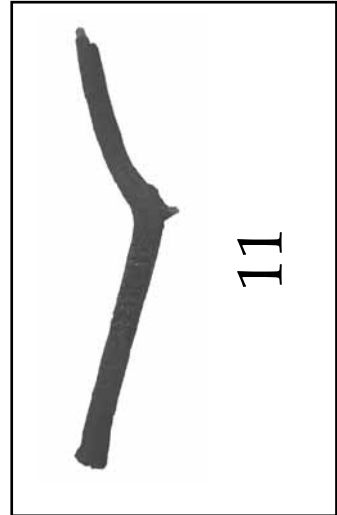
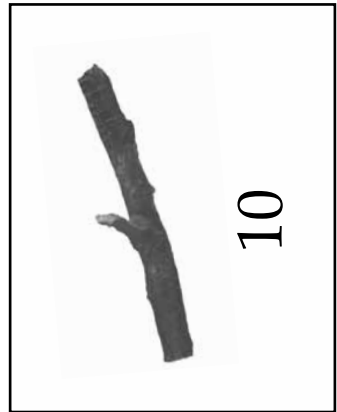
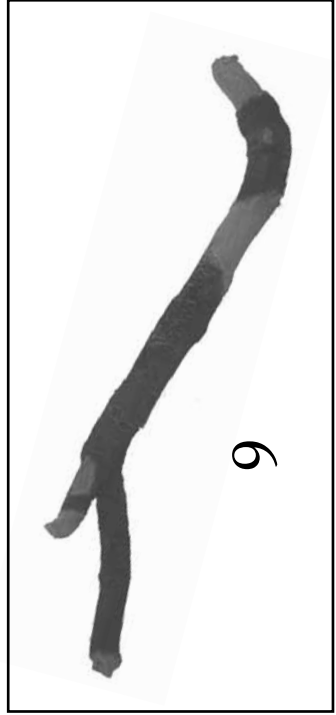
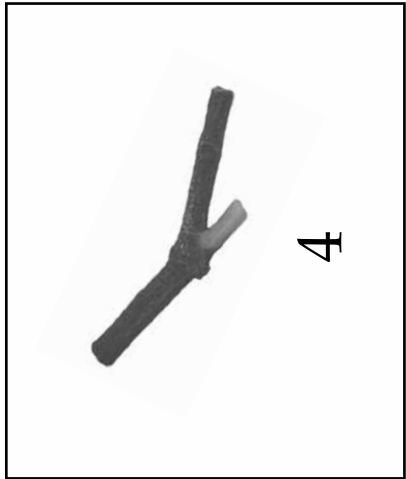
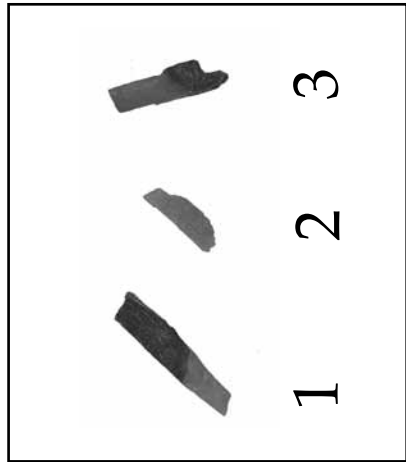
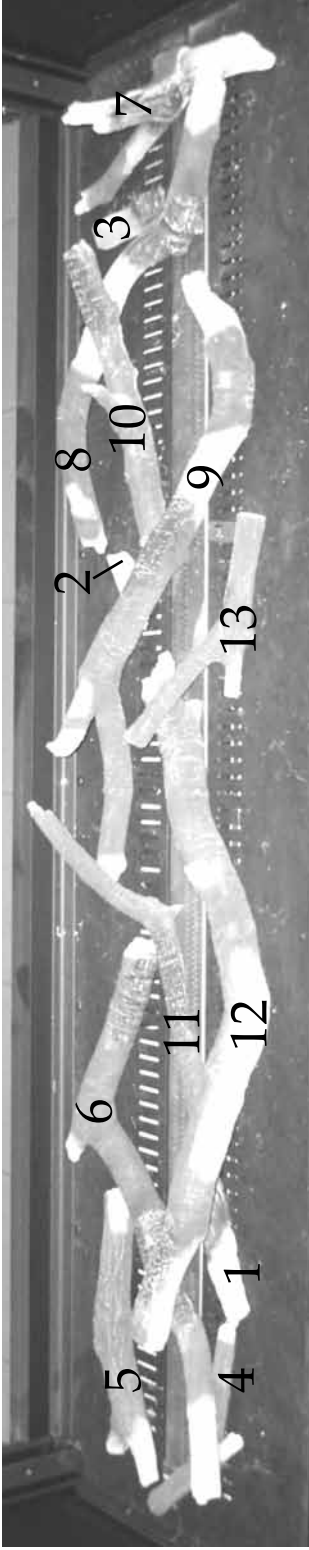
LUNA 1300 H GAS

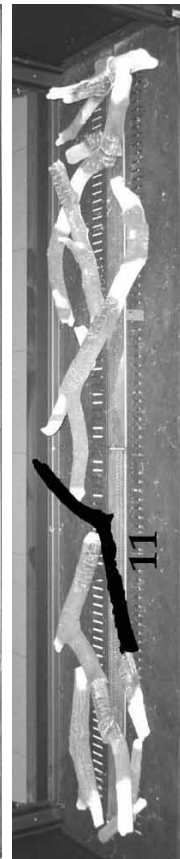
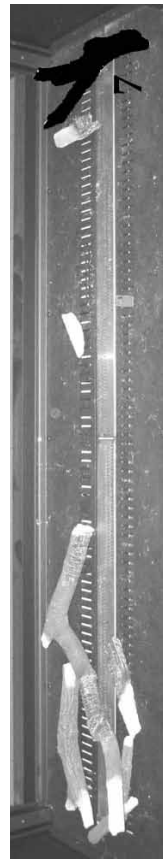
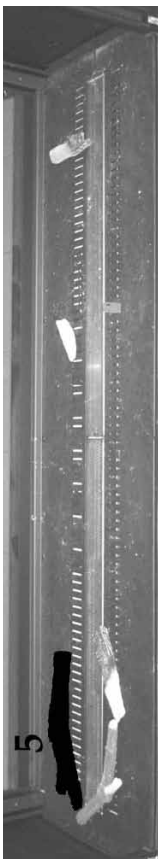
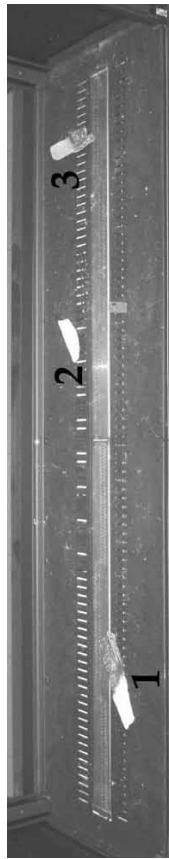
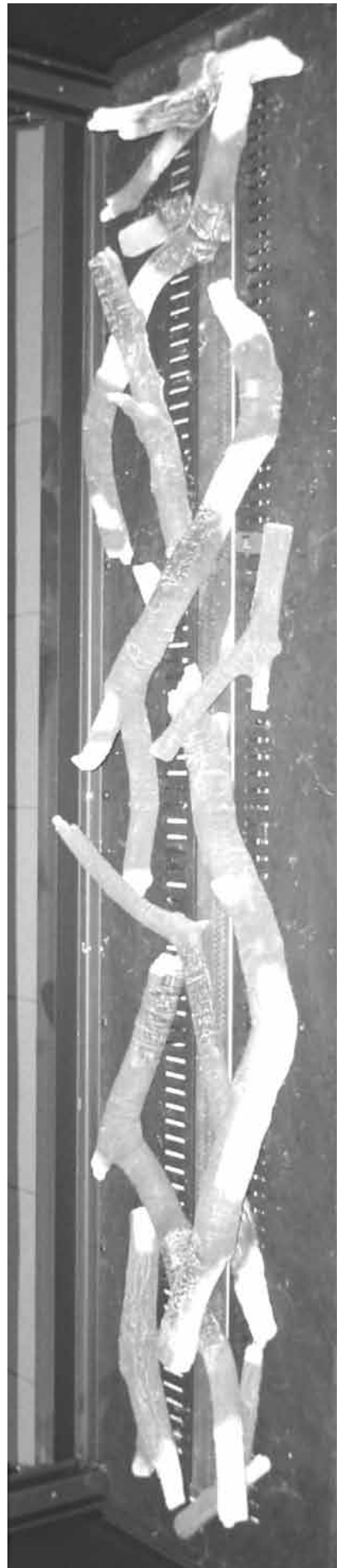
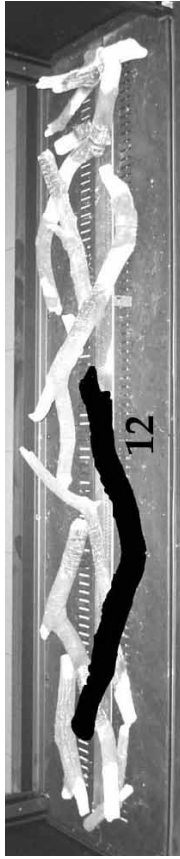
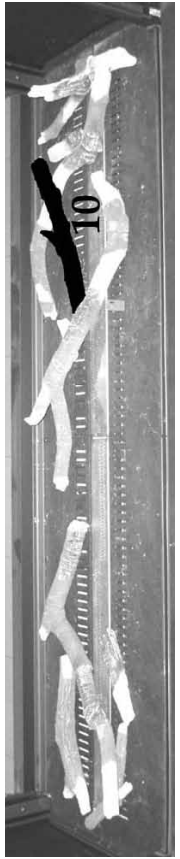
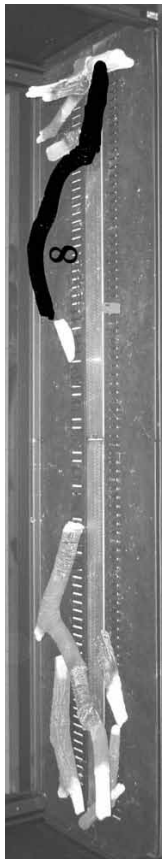
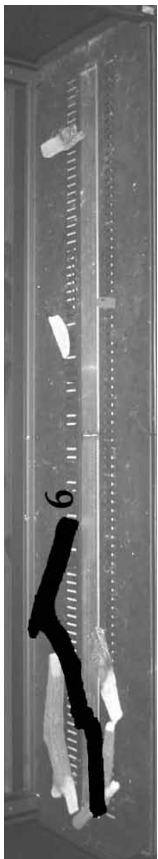
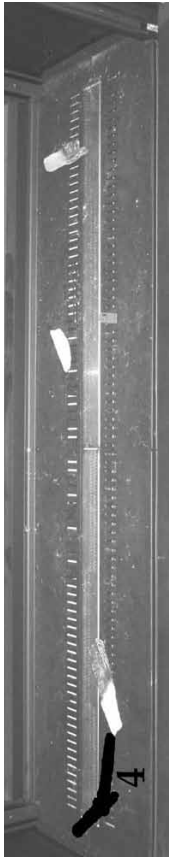




LUNA 1300 H GAS

LUNA 1600 H GAS





LUNA 1600 H GAS

9. FIRST-TIME USE

The masonry and plaster surrounding a recently installed furnace hold a great deal of moisture, which must first evaporate before commissioning the appliance. If not, the plaster may crack or split. Ask your installer about the timescale to follow. The first time you use it, only make a moderate-sized fire.

The first few times the furnace is used, an unpleasant odour may be apparent. It comes from the protective paintwork. These emissions are totally harmless. To quickly get rid of these odours, all you need to do is ventilate the room for a while.

After the first few fires, a light deposit may appear on the window. It comes from the paintwork. Once the furnace is cold you can get rid of this deposit by using M Design's Bio-Clean cleaning product. This product may be used later on for cleaning the window.

The appliance must not be used if the door no longer has a window or with the door open. If the window is broken or cracked, the appliance must not be used until the window has been replaced. Contact your M Design reseller.

10. SAFETY, ADVICE AND MAINTENANCE

Have your furnace inspected once a year by a qualified technician.

Please observe the following points:

- Closed appliances produce intense heat, which means that all the surfaces of the external walls (metal, door frames and windows) become very hot once a certain temperature is reached. Make sure that young children do not touch the window; this could result in severe burns.
- The logs, ceramic pebbles, a Diamond set and a Sapphire set are delivered with the furnace. Never put other objects in the flames!
- Keep inflammable materials a suitable distance from the furnace (min. 1m)!
- Never modify the settings yourself! The furnace warranty will then be considered as invalid, null and void.
- Never let children use the remote control without supervision.
- Always leave the pilot light on. The appliance is designed in order that the pilot light goes out automatically every 24 hours and lights instantly. This enables the electronic system to run down from static electricity.
- In the case where the burner goes out for any reason, wait for 3 minutes before relighting the furnace.

11. STARTPILOT

The M-Design Gas appliance are provided with "Constant startpilot". After the first use or when the winterperiod is coming and you use the fireplace daily, you must let the startpilot switch ON. Don't switch it off after each use.

This startpilot avoids condensation in the fireplace and protects the whole appliance and even the electronic parts against humidity.

This startpilot has a very low gasconsumption.

12. USING THE MANUAL CONTROL (BLACK BOX)

On the user interface, a potentiometer is connected. This one will be used only when the remote control is broken.

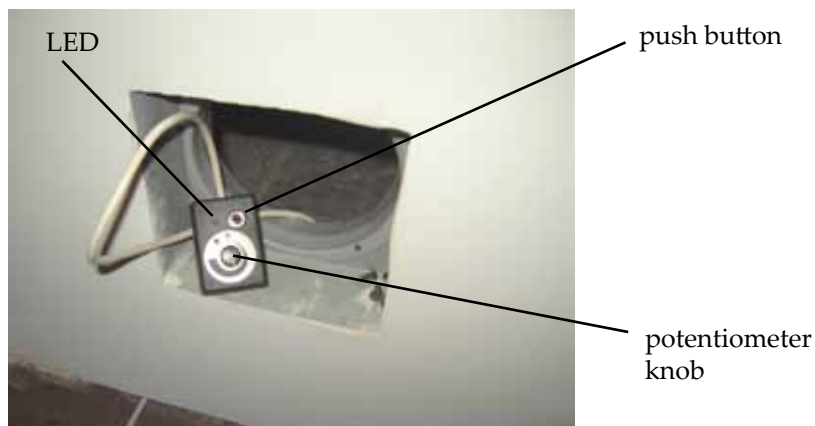
DON'T USE THE POTENTIOMETER SIMULTANIOUSLY WITH THE REMOTE CONTROL TO SET THE REQUIRED LOAD.

When no ignition with remote control, set potentiometer knob "off" (turn left).

Push once on the black push button. You will hear the startpilot ignition.

Once you see the flame on the startpilot , just turn the potentiometer to the right to regulate the flames.

To switch off , turn the potentiometer to the left "off" and push once to extinguish the startpilot flame. Push a second time to swith off the whole fireplace.



13. SPECIFICATION SHEET

LUNA 1000 H GOLD gas/gaz

Type of Gaz	NATURAL GAZ				PROPAN / LPG				
	I _{2H}	I _{2L}	I _{2E+}	I _{2E}	I ₃₊	I _{3B/P}			
Categorie	G25				G31				G30
Type /Type	C ₁₁ , C ₃₁ , C ₉₁	C ₁₁ , C ₃₁ , C ₉₁	C ₁₁ , C ₃₁ , C ₉₁	C ₁₁ , C ₃₁ , C ₉₁	C ₁₁ , C ₃₁ , C ₉₁	C ₁₁ , C ₃₁ , C ₉₁	C ₁₁ , C ₃₁ , C ₉₁	C ₁₁ , C ₃₁ , C ₉₁	
Inlet pressure (mbar)	25	20			30	37	50	28-30	
Burner pressure (mbar)	24,2	19,3			29,4	36,2	36,2	28,4	
Consumption (m ³ /h)	0,870	0,789			0,264	0,299	0,299	0,226	
Injector burner	6 x 0,85	6 x 0,85			6 x 0,6	6 x 0,6	6 x 0,6	6 x 0,6	
Injector startpilot	38/33A	38/33A			0.20P3	0.20P3	0.20P3	0.20P3	
Rendement (%)	86,4	86,8			73	73	73	73	
Nominal Charge (KW)	6.8	7			6,5	7,3	7,3	7,3	
Charge (KW)	6,1	6,4			4,7	5,3	5,3	5,3	
NOX-emission classe	5	5			5	5	5	5	
Cat. Rendement CE /	1	1			2	2	2	2	

13. SPECIFICATION SHEET

LUNA 1150 H GOLD gas/gaz

Type of Gaz	NATURAL GAZ				PROPAN / LPG			
	I _{2H}	I _{2L}	I _{2E+}	I _{2E}	I ₃₊	I _{3B/P}		
Categorie	G25				G31			
Type /Type	C ₁₁ , C ₃₁ , C ₉₁	C ₁₁ , C ₃₁ , C ₉₁	C ₁₁ , C ₃₁ , C ₉₁	C ₁₁ , C ₃₁ , C ₉₁	C ₁₁ , C ₃₁ , C ₉₁	C ₁₁ , C ₃₁ , C ₉₁	C ₁₁ , C ₃₁ , C ₉₁	C ₁₁ , C ₃₁ , C ₉₁
Inlet pressure (mbar)	25		20		30	37	50	28-30
Burner pressure (mbar)	23.3		19.1		27.9	34.5	34.5	28,4
Consumption (m ³ /h)	0.985		0.868		0.258	0.286	0.286	0.286
Injector burner	6 x 1		6 x 0.95		6 x 0.55	6 x 0.55	6 x 0.55	6 x 0.55
Injector startpilot	38/33A		38/33A		0.20P3	0.20P3	0.20P3	0.20P3
Rendement (%)	85		85.5		74	76	76	76
Nominal Charge (KW)	8		8.2		6.3	7	7	7
Charge (KW)	6.8		7		4.7	5,3	5,3	5,3
NOX-emission classe	5		5		5	5	5	5
Cat. Rendement CE /	1		1		2	2	2	2

13. SPECIFICATION SHEET

LUNA 1300 H GOLD gas/gaz

Type of Gaz	NATURAL GAZ				PROPAAN / LPG			
	I _{2H}	I _{2L}	I _{2E+}	I _{2E}	I ₃₊	I _{3B/P}		
Categorie	G25	G20	G31	G30				
Type /Type	C ₁₁ , C ₃₁ , C ₉₁	C ₁₁ , C ₃₁ , C ₉₁	C ₁₁ , C ₃₁ , C ₉₁	C ₁₁ , C ₃₁ , C ₉₁	C ₁₁ , C ₃₁ , C ₉₁	C ₁₁ , C ₃₁ , C ₉₁	C ₁₁ , C ₃₁ , C ₉₁	C ₉₁
Inlet pressure (mbar)	25	20	30	37	50	28-30		
Burner pressure (mbar)	24	19,2	29,2	36,1	36,1	28,2		
Consumption (m ³ /h)	1,132	1,026	0,344	0,389	0,389	0,295		
Injector burner	6 x 1,10	6 x 1,10	6 x 0,65	6 x 0,65	6 x 0,65	6 x 0,65		
Injector startpilot	38/33A	38/33A	0.20P3	0.20P3	0.20P3	0.20P3		
Rendement (%)	86	87	70	70	70	70		
Nominal Charge (KW)	9.3	9,7	8.5	9.5	9.5	9,5		
Charge (KW)	8,0	8,4	6	6,7	6,7	6,7		
NOX-emmission classe	5	5	5	5	5	5		
Cat. Rendement CE /	1	1	2	2	2	2		

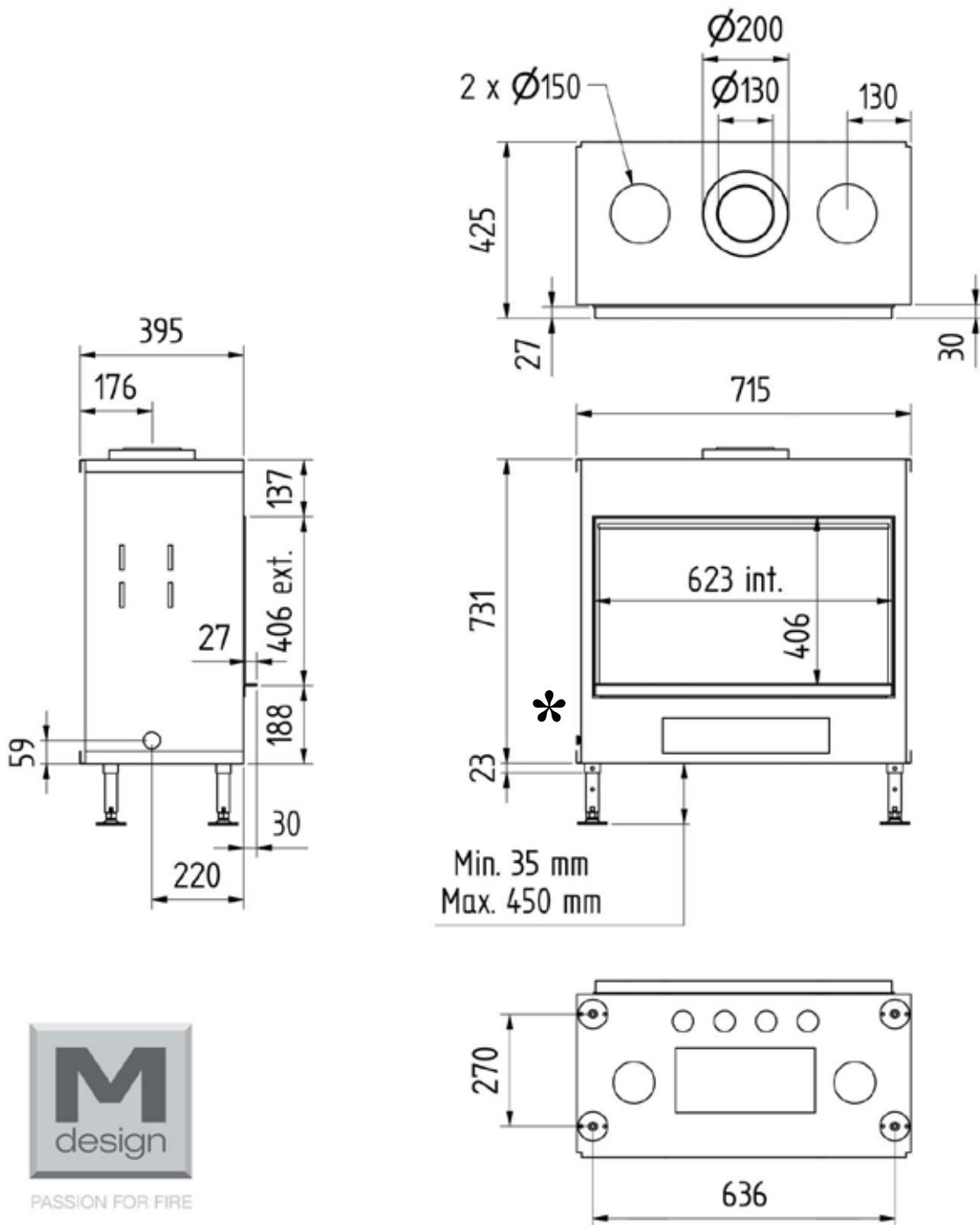
13. SPECIFICATION SHEET

LUNA 1600 H GOLD gas/gaz

Type of Gaz	NATURAL GAZ				PROPAN / LPG			
	I _{2H}	I _{2L}	I _{2E+}	I _{2E}	I ₃₊	I _{3B/P}		
Categorie								
Categorie	G25				G31			
Type /Type	C ₁₁ , C ₃₁ , C ₉₁				C ₁₁ , C ₃₁ , C ₉₁			
Inlet pressure (mbar)	25		20		30	37	50	28-30
Burner pressure (mbar)	23		18,9		28.9	35.5	35.5	27.9
Consumption (m ³ /h)	1.316		1.217		0.315	0.36	0.360	0.273
Injector burner	6 x 1,25		6 x 1,25		6 x 0,65	6 x 0,65	6 x 0,65	6 x 0,65
Injector startpilot	38/33A		38/33A		0.20P3	0.20P3	0.20P3	0.20P3
Rendement (%)	83		84		80	80	80	80
Nominal Charge (KW)	10,7		11.5		7.7	8.8	8.8	8.8
Charge (KW)	8.9		9.7		6.1	7	7	7
NOX-emission classe	5		5		5	5	5	5
Cat. Rendement CE /	1		1		2	2	2	2

LUNA 700 H GOLD gas

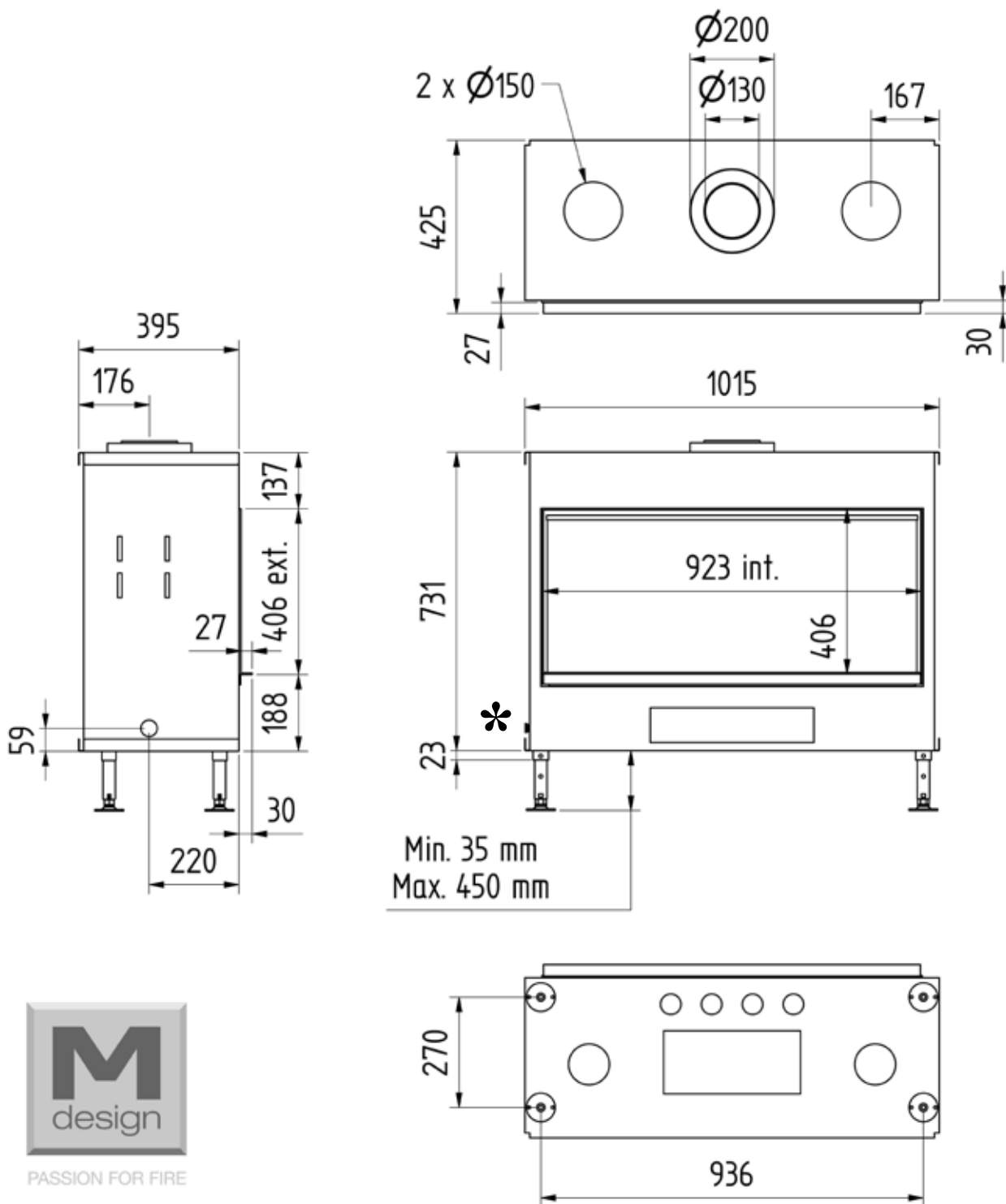
* connection gas on the left side



PASSION FOR FIRE

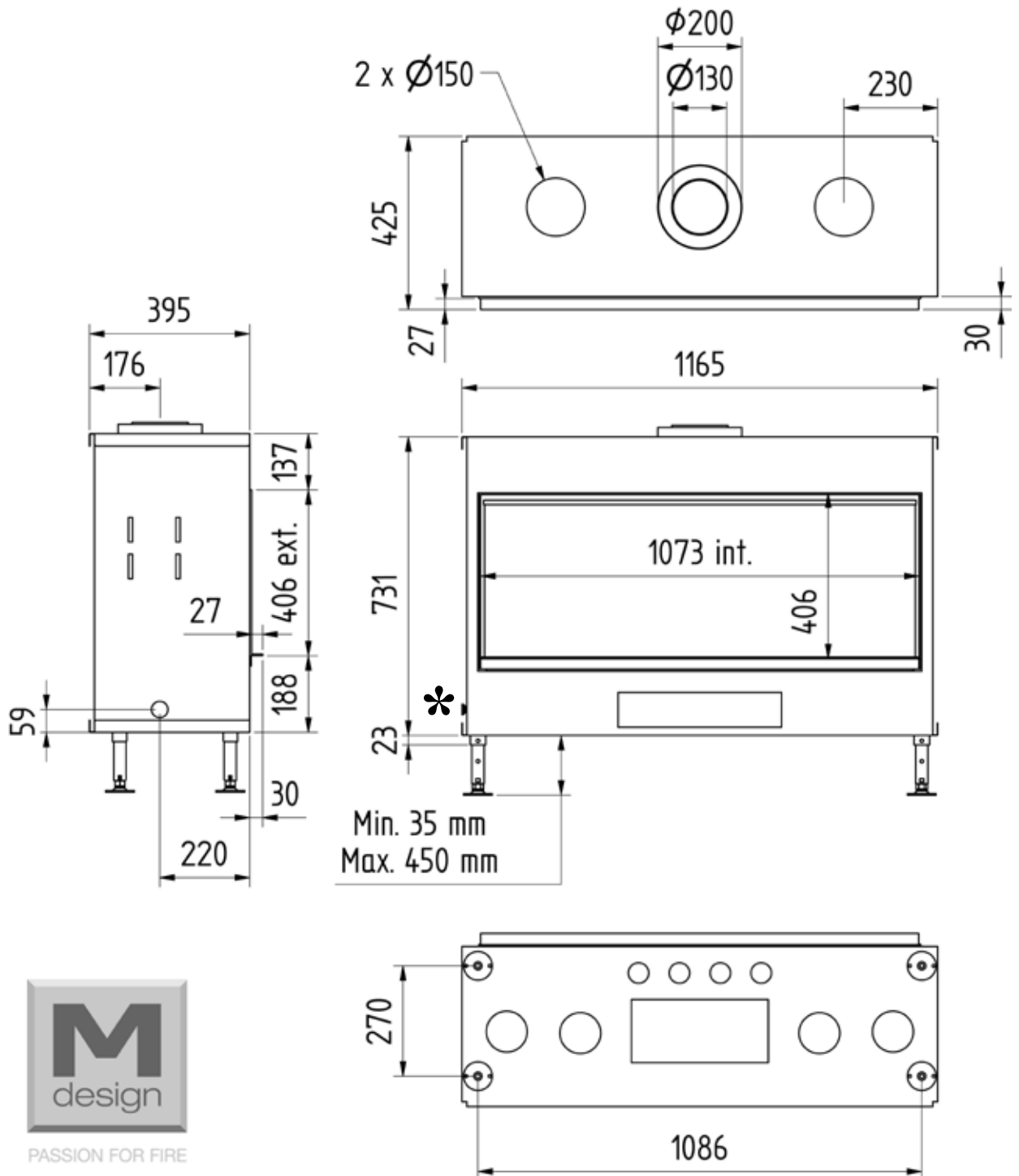
LUNA 1000 H GOLD gas

* connection gas on the left side



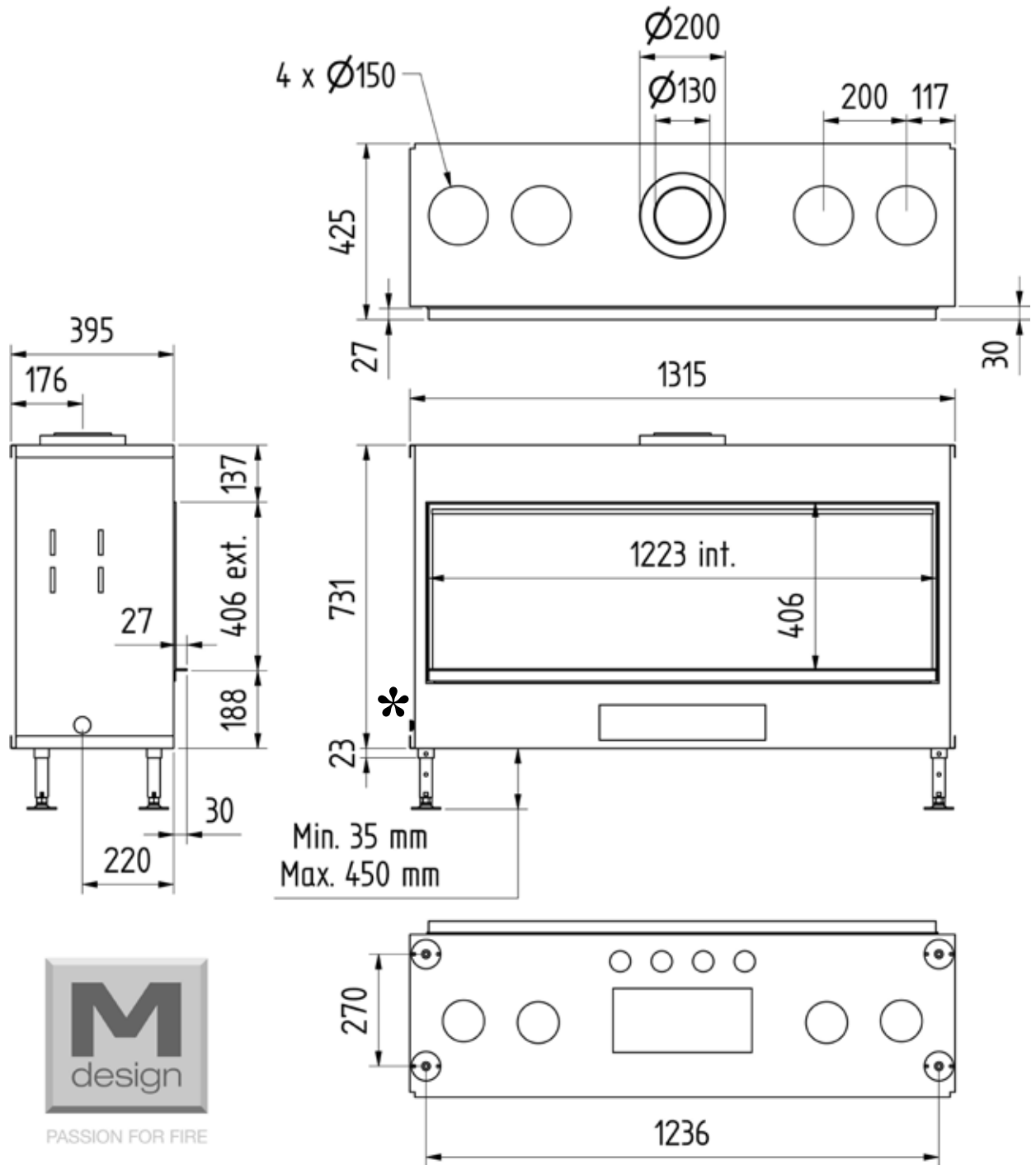
LUNA 1150 H GOLD gas

* connection gas on the left side



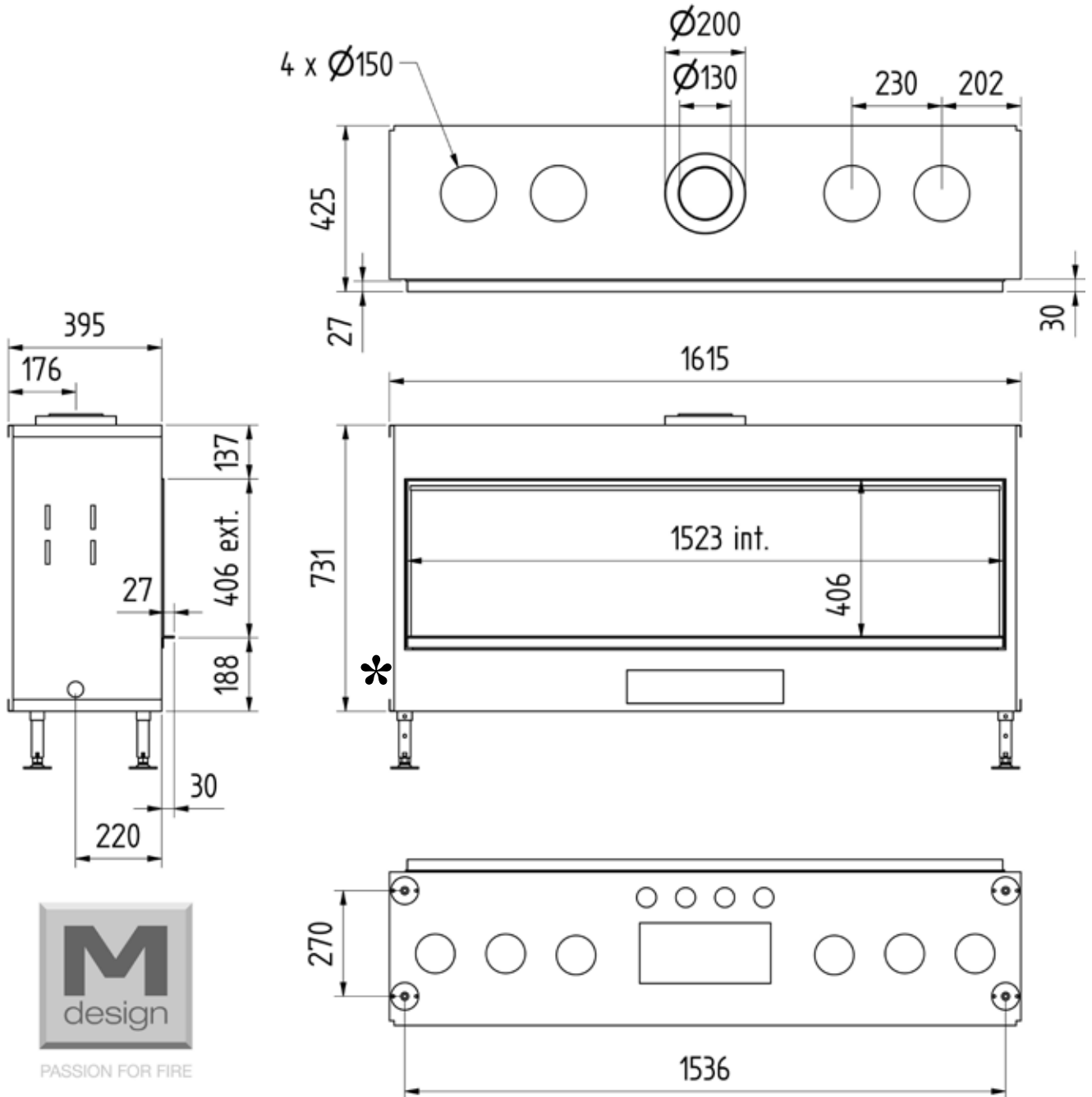
LUNA 1300 H GOLD gas

* connection gas on the left side



LUNA 1600 H GOLD gas

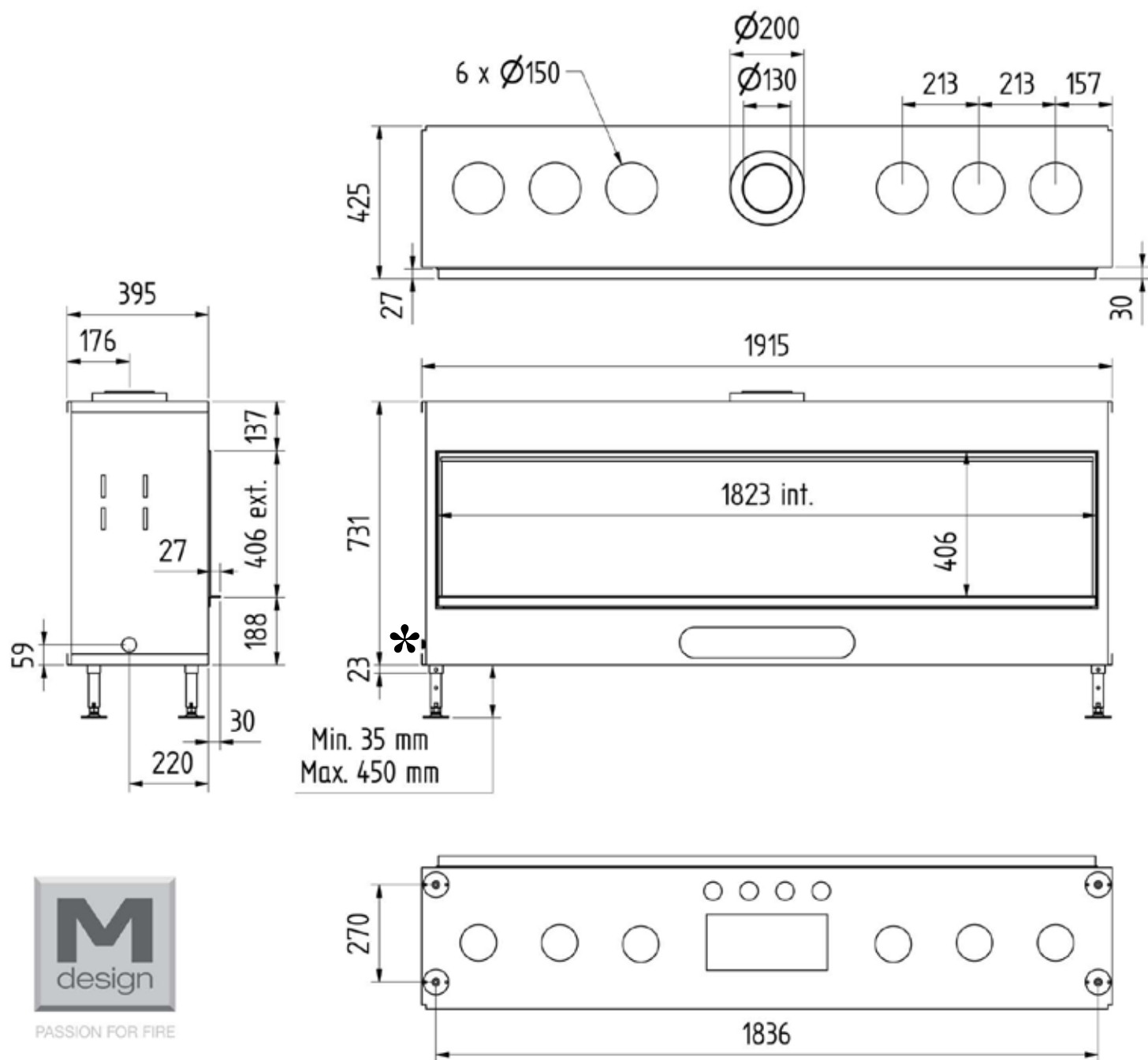
* connection gas on the left side



PASSION FOR FIRE

LUNA 1900 H GOLD gas

* connection gas on the left side



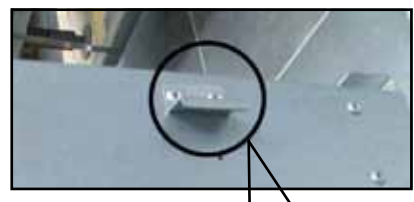
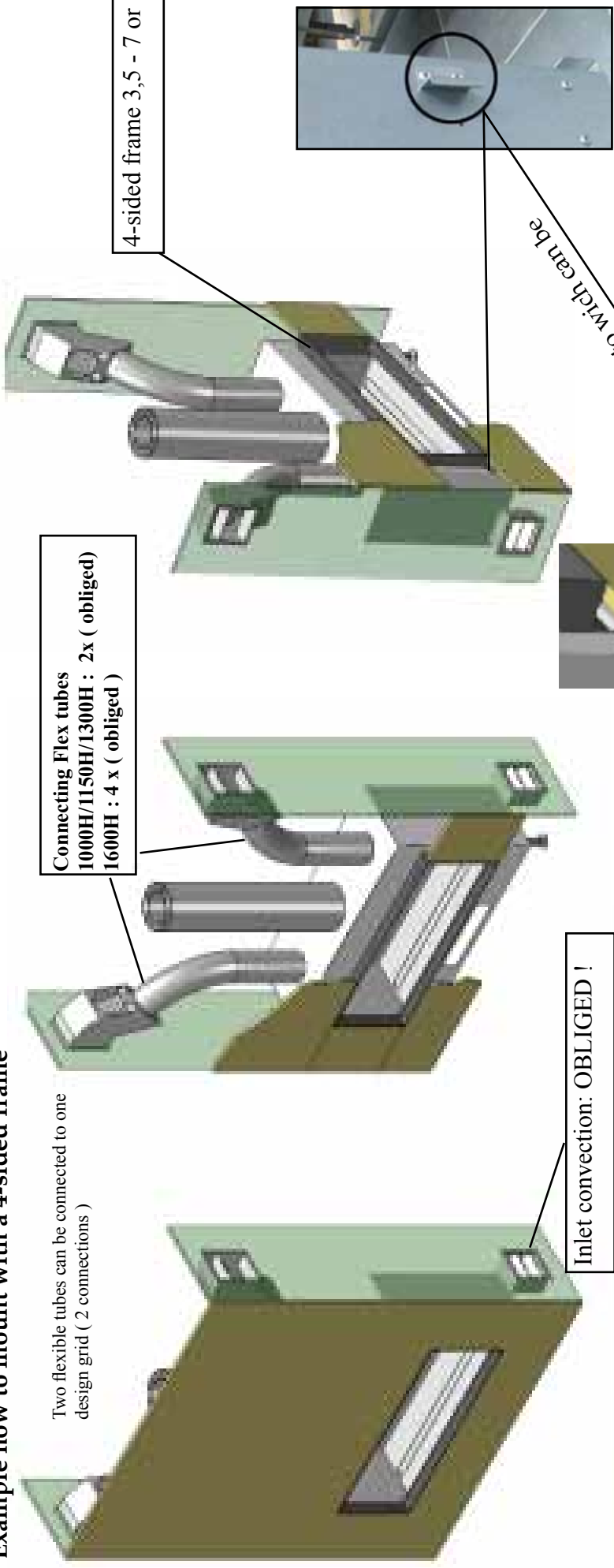
Example how to mount with a 4-sided frame

Two flexible tubes can be connected to one design grid (2 connections)

Connecting Flex tubes
 1000H/1150H/1300H : 2x (obliged)
 1600H : 4 x (obliged)

4-sided frame 3,5 - 7 or 10 cm

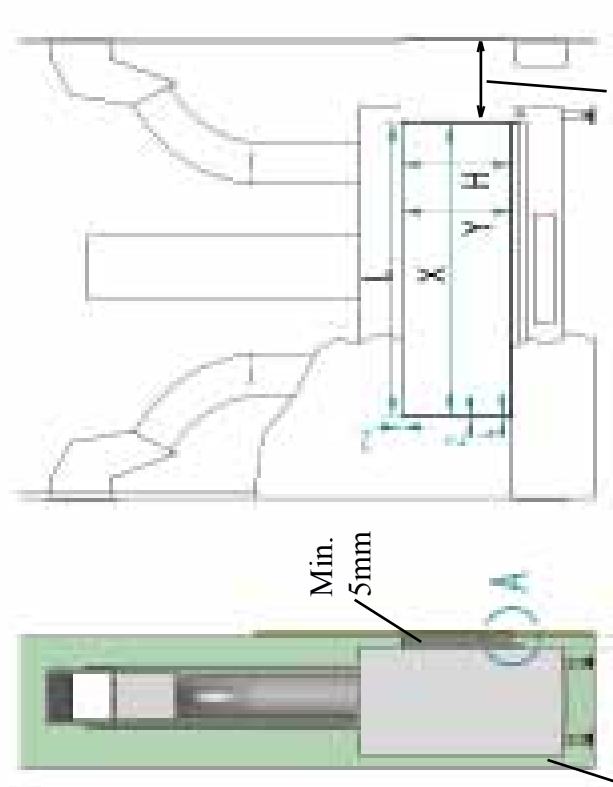
Inlet convection: OBLIGED !



Minimum distance to wich can be mounted

Model	X	L	T	H
1000H / DH	923	936	406	408
1150H / DH	1073	1086	406	408
1300H / DH	1223	1236	406	408
1600H / DH	1523	1536	406	408
1900H / DH	1773	1786	406	408
2000H / DH	1873	1886	406	408

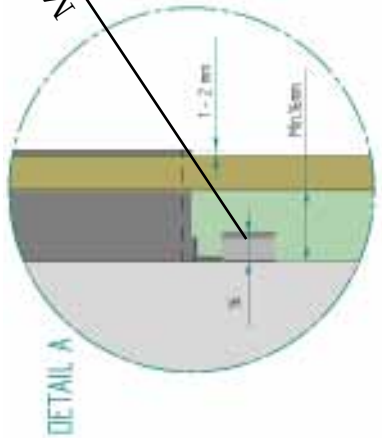
Apperture to make
 $L = X + 4mm + 4mm + 2mm + 2mm$
 $H = Y + 2mm$



Min. distance between appliance and maconery : 4cm

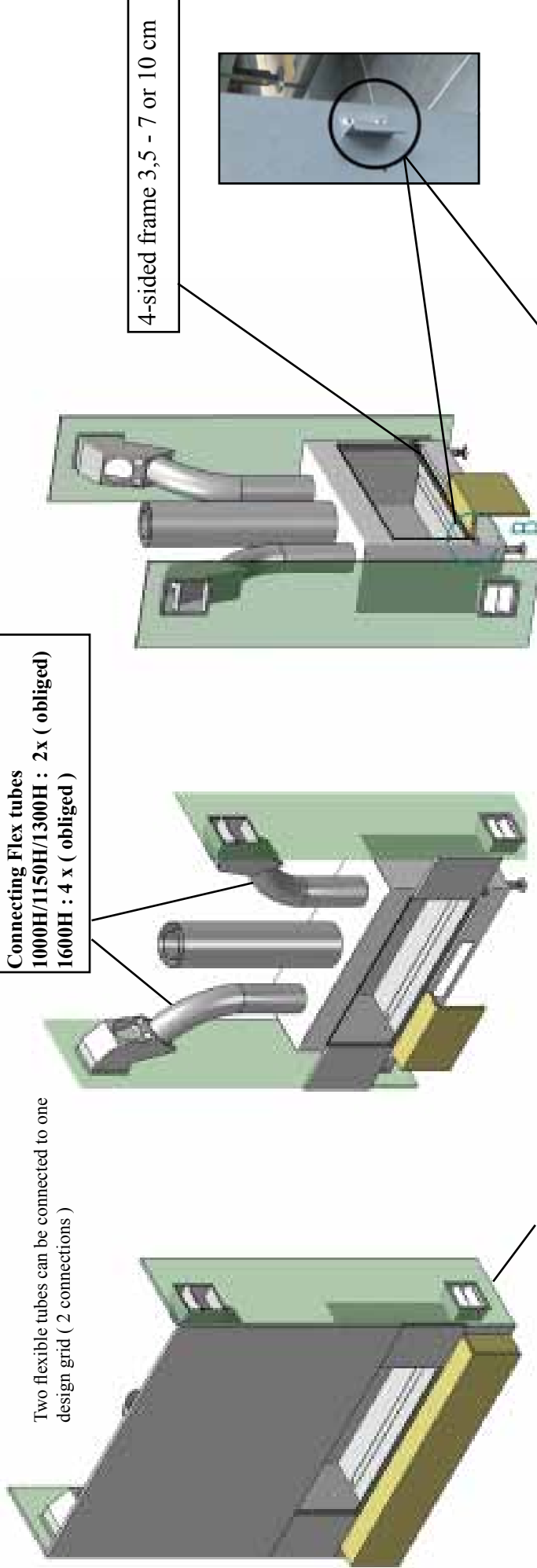
Min. 5mm

Min. 16mm

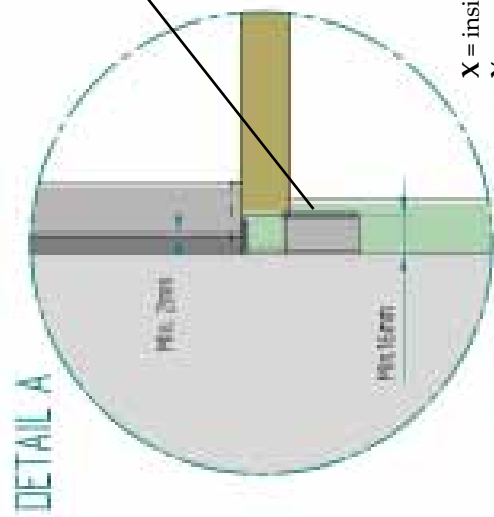
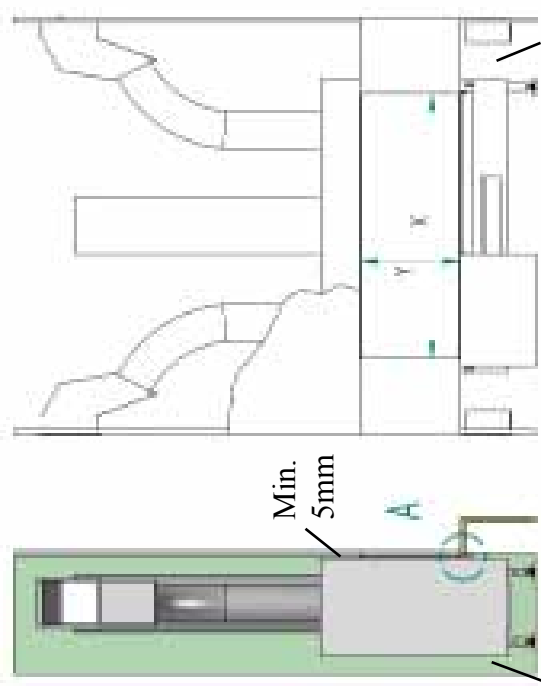


X = inside measurement frame (finished size)
 Y = measurement from underneath 4th side frame till upper side frame above window
 4 mm = thickness frame
 2 mm = gap between frame and maconery

Example how to mount without a 4-sided frame



Inlet convection: OBLIGED !

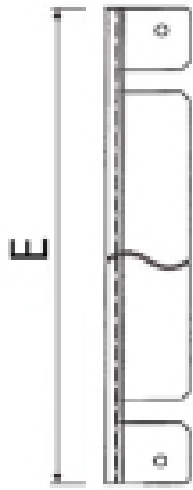


Model	K (mm)	T (mm)
1000H	923	406
1150H	1073	406
1300H	1223	406
1600H	1523	406
1900H	1773	406
2500H	2273	406

X = inside measurement frame (finished size)
 Y = measurement from underneath 4th side frame till upper side frame above window (finishing size)

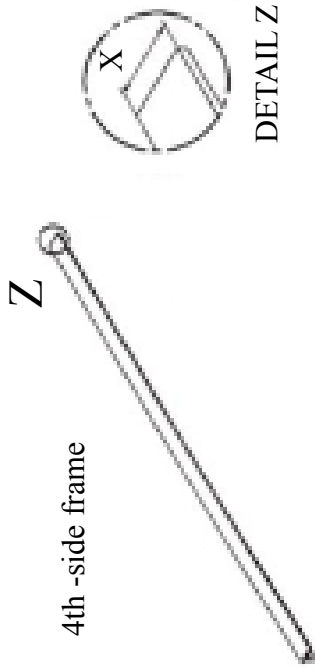
Min. distance between appliance and maconery : 4cm

4-sided frame



TYPE	E
1000 H	923
1150 H	1073
1300 H	1223
1600 H	1523
850 V	773
550 V	473

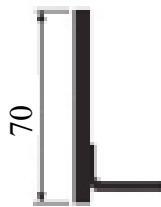
TYPE	D
35	57
70	92
105	127



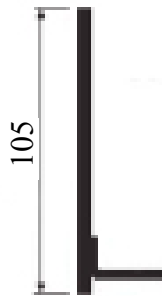
4th -side frame



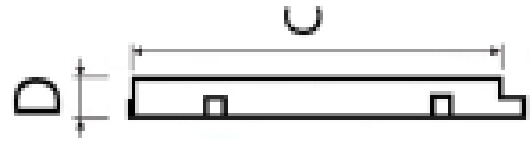
X = 3,5 cm



X = 7 cm



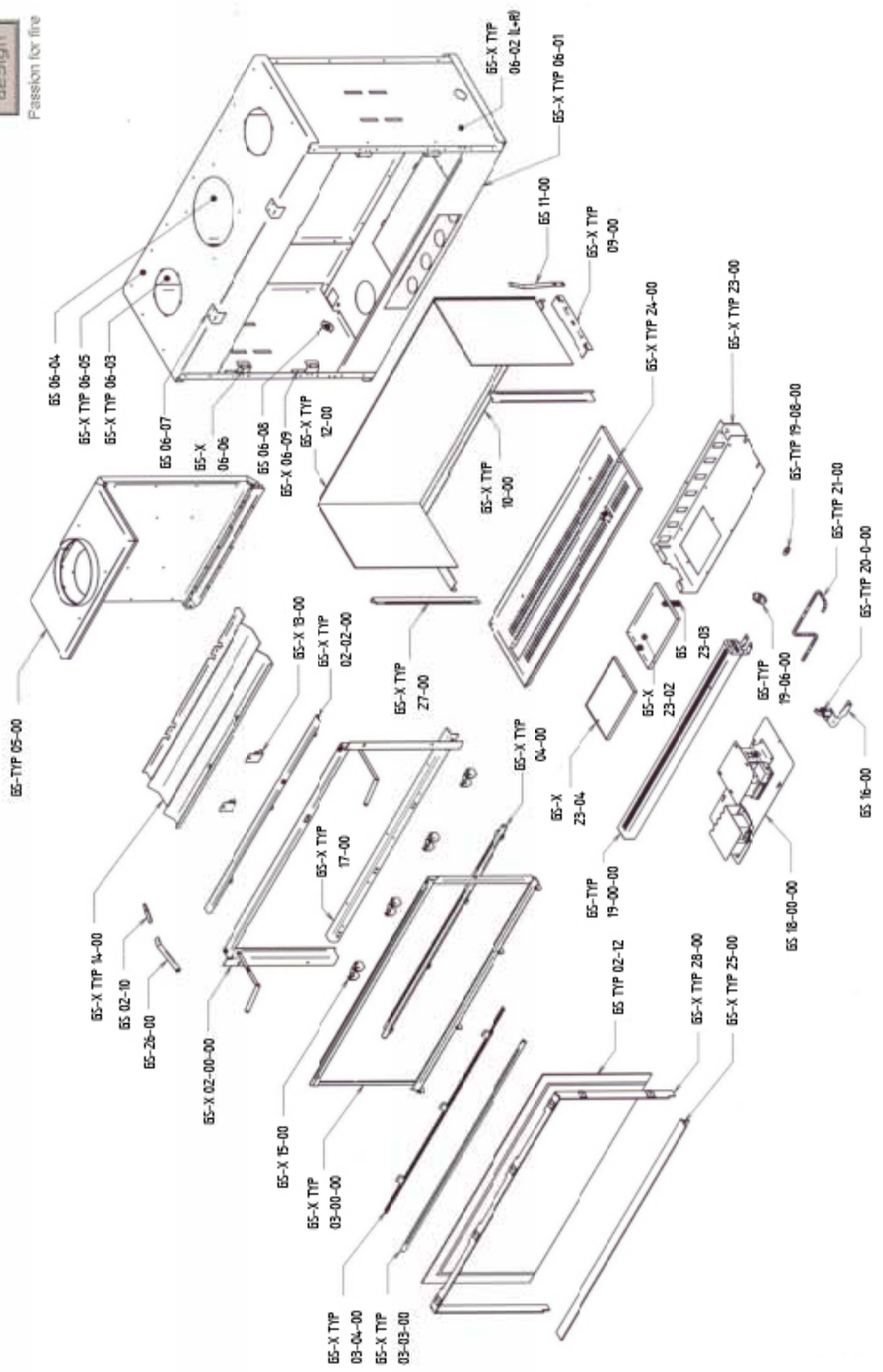
X = 10,5 cm



TYPE	mm		
	A	B	C
1000 H	931	431	401
1150 H	1081	431	401
1300 H	1231	431	401
1600 H	1531	431	401
850 V	781	691	661
550 V	481	931	901



14. SPARE PARTS



14. GUARANTEE

This page is your warranty card.

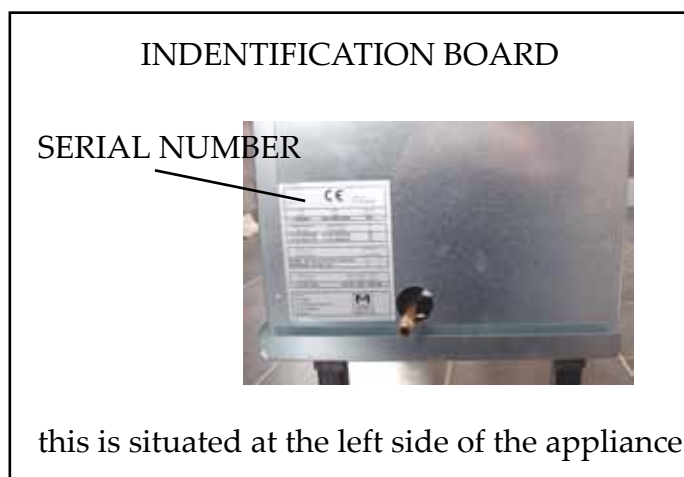
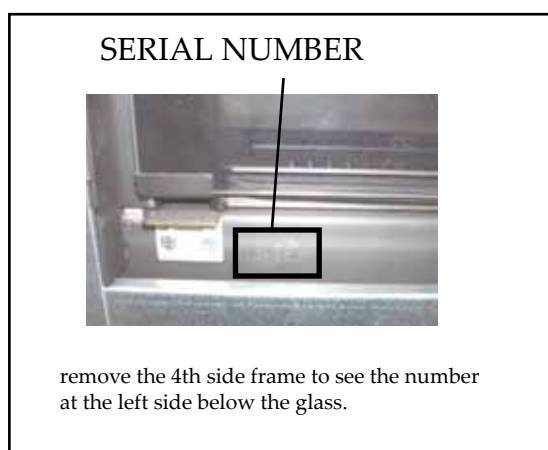
The guarantee is only valid for faults caused by construction defects or defects in the parts used to build the furnace.

M-Design offers a 12 month guarantee on all electronic parts and a 8 year guarantee on the furnace construction.

Caution: The following items are always excluded from the guarantee:

- The glass, door, joints and internal decor.
- The defects which occur are fully or partially a consequence of
 - Non respect of the order, installation and maintenance instructions
 - Assembly, installation or repair by a third-party, including the buyer
 - Heat cracks which normally occur in the mantel
 - In cases where changes have been made to the furnace without our consent
 - In cases where the buyer cannot show his/her warranty card with the purchase invoice. Likewise where the guarantee and/or the invoice show(s) signs of tampering or forgery (crossed out date, illegible, modifications).

In the case you would like to make use of the manufacturer's warranty, you should contact your reseller in the first instance. Please take good care of your purchase invoice and warranty card and store them in a safe place.



Your serial number :

.....



**M-DESIGN BENELUX BVBA
TORHOUTSESTEENWEG 222A
8210 ZEDELGEM**

Technigas€**Module B****ECTYPE EXAMINATION CERTIFICATE**

Annex II Paragraph I directive 2009/142/EC



Certificate number : E1046/5507 Rev.1
ID number : 0461BS0880

Date of issue : 17/09/2007
Revised : 13/12/2010

Fabricant : M-DESIGN
Manufacture Torhoutsesteenweg 222 A
Fabrikant B - 8210 ZEDELGEM

Marque commerc. : M-Design
Trade mark
Handelsmerk

Type : LUNA 850V – 550V
Model LUNA 1000H – 1150H – 1300H – 1600H
Type LUNA 1000CL/CR/DC – 1300CL/CR/DC – 1600CL/CR/DC

Genre d'appareil : CONVECTOR HEATER
Kind of product
Soort toestel

Type d'appareil : C11/ C31 / C91
Appliance type
Type toestel

Countries of destination, appliance categories :

AL-AT-BE-BG- CH- CY- CZ- DE- DK- EE- ES- FI- FR-GB-GR- HU-HR
 IE- IS - IT- LT- LU- LV- MK- MT- NL-NO- PL-PT- RO- SE- SI- SK- TR

I2H // I2L // I2E // I2E+ // I3+ // I3B/P // I3P // II2H3B/P // II2H3+ // II2H3P // II2E+3+ //
 II2L3B/P // II2L3P // II2E3B/P // II2E+3B // II2E+3P

G20-20 mbar // G25-25 mbar // G20/G25-20/25 mbar
 G30-(28-30) mbar // G30-50 mbar // G30/G31-(28-30)/37 mbar
 G31-30 mbar // G31-50 mbar

Normative references : EN 613 edition 12/2000
 EN 613/A1 edition 04/2003

Cancel and replaces the previous one from the 17/09/2007.


 DIRECTOR
 K DE WIT

n° 199-PROD



TGP-08-14
 2002-04-12

TECHNIGAS - Rodestraat, 125 - B-1630 Linkebeek
 Phone +32 2 383 02 00 - Fax +32 2 380 87 04
 e-mail : technigas@technigas.be - website : www.technigas.be